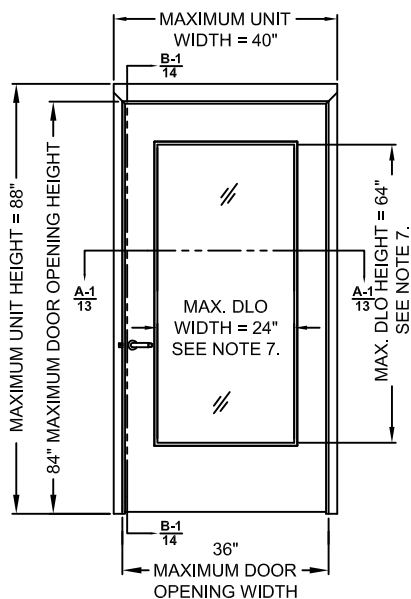
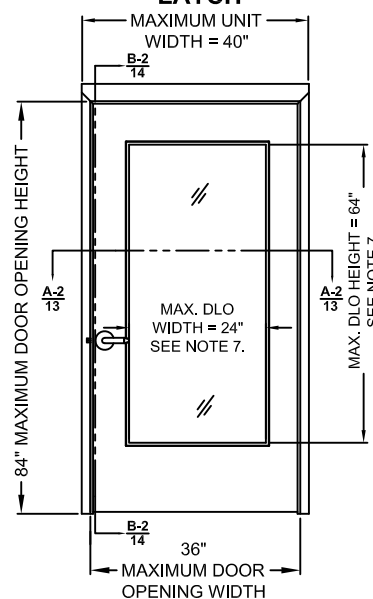


MORTISE LOCKSET WITH OR WITHOUT DEADBOLT



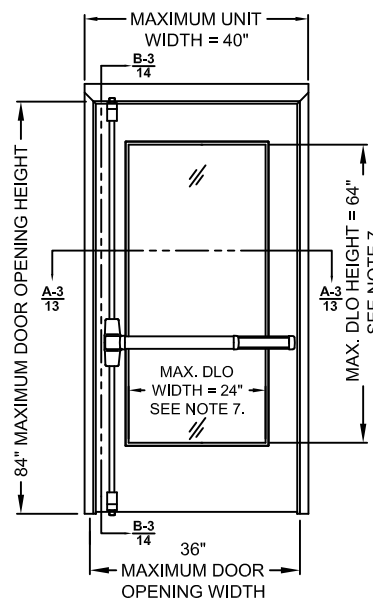
CONFIG.	DESIGN PRESSURE RATING, PSF	
	WHERE WATER INFILTRATION REQUIREMENT IS NEEDED SEE SHEET 5	WHERE WATER INFILTRATION REQUIREMENT IS NOT NEEDED SEE SHEET 6
1	±75	±75

CYLINDRICAL LOCKSET 1/2" MIN. THROW LATCH



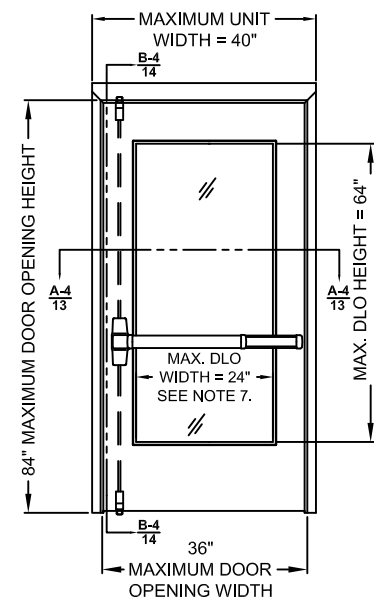
CONFIG.	DESIGN PRESSURE RATING, PSF	
	WHERE WATER INFILTRATION REQUIREMENT IS NEEDED SEE SHEET 5	WHERE WATER INFILTRATION REQUIREMENT IS NOT NEEDED SEE SHEET 6
2	±75	±75

SURFACE VERTICAL ROD EXIT DEVICE



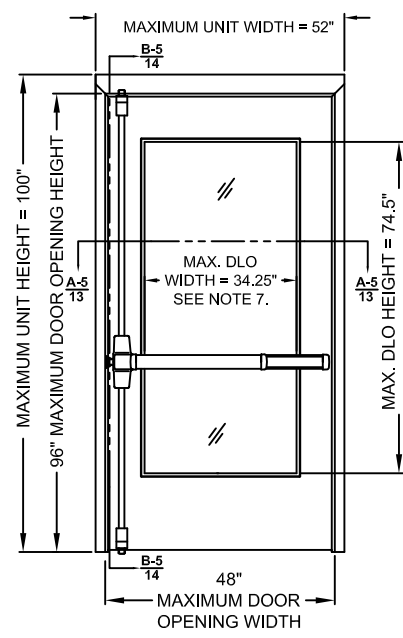
CONFIG.	DESIGN PRESSURE RATING, PSF	
	WHERE WATER INFILTRATION REQUIREMENT IS NEEDED SEE SHEET 5	WHERE WATER INFILTRATION REQUIREMENT IS NOT NEEDED SEE SHEET 6
3	±60	±60

CONCEALED VERTICAL ROD EXIT DEVICE



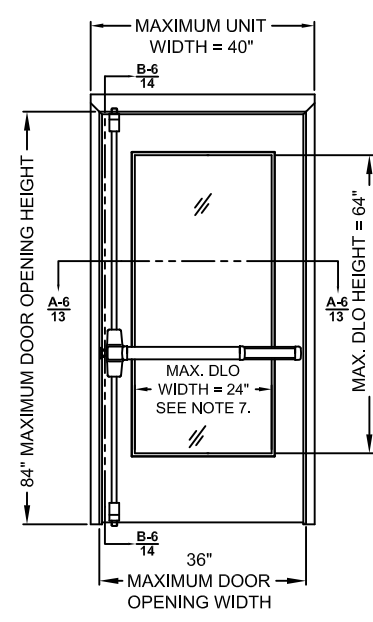
CONFIG.	DESIGN PRESSURE RATING, PSF	
	WHERE WATER INFILTRATION REQUIREMENT IS NEEDED SEE SHEET 5	WHERE WATER INFILTRATION REQUIREMENT IS NOT NEEDED SEE SHEET 6
4	±60	±60

THREE-POINT LATCHING EXIT DEVICE



CONFIG.	DESIGN PRESSURE RATING, PSF	
	WHERE WATER INFILTRATION REQUIREMENT IS NEEDED SEE SHEET 5	WHERE WATER INFILTRATION REQUIREMENT IS NOT NEEDED SEE SHEET 6
5	±50	±50

THREE-POINT LATCHING EXIT DEVICE

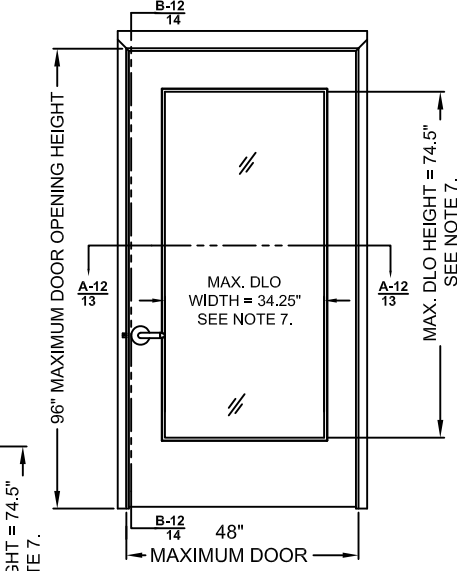


CONFIG.	DESIGN PRESSURE RATING, PSF	
	WHERE WATER INFILTRATION REQUIREMENT IS NEEDED SEE SHEET 5	WHERE WATER INFILTRATION REQUIREMENT IS NOT NEEDED SEE SHEET 6
6	±60	±60

REVISIONS

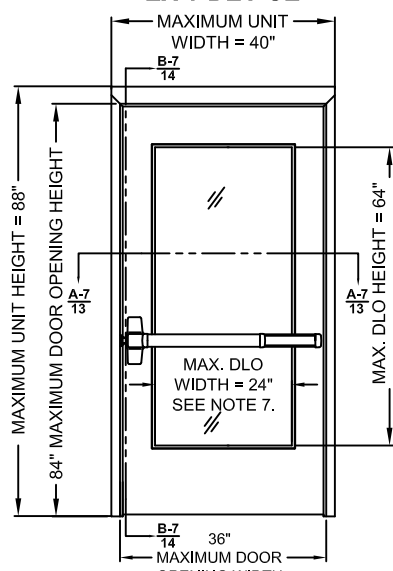
LTR	DESCRIPTION	DATE	APPROVED
A	APPROVAL DWG	YMF	05/20/07
E	REVISED PER_MDBCCD	YMF	01/30/09
F	REVISED DWG	YMF	02/04/09
G	REVISED DWG	YMF	01/04/10
H	REVISED NAME	JPD	04/09/10
J	REVISED DWG	JPD	11/01/13
K	REVISED DWG	JPD	02/01/15
L	REVISED DWG	JPD	06/30/15
M	ENGINEER CHANGE	LMS	12/01/16
N	REVISED DWG	JPD	07/18/18

CYLINDRICAL LOCKSET 1/2" MIN. THROW LATCH



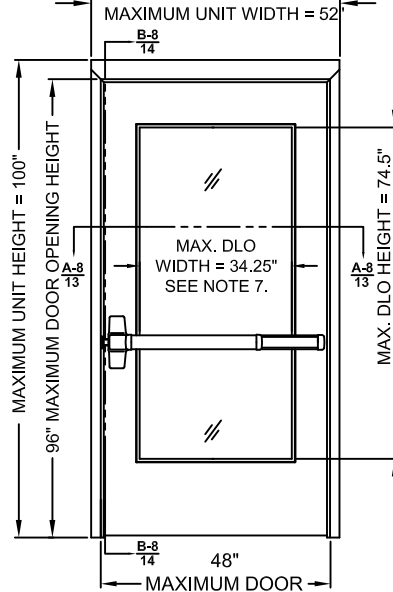
CONFIG.	DESIGN PRESSURE RATING, PSF	
	WHERE WATER INFILTRATION REQUIREMENT IS NEEDED SEE SHEET 5	WHERE WATER INFILTRATION REQUIREMENT IS NOT NEEDED SEE SHEET 6
12	±50	±50

RIM EXIT DEVICE



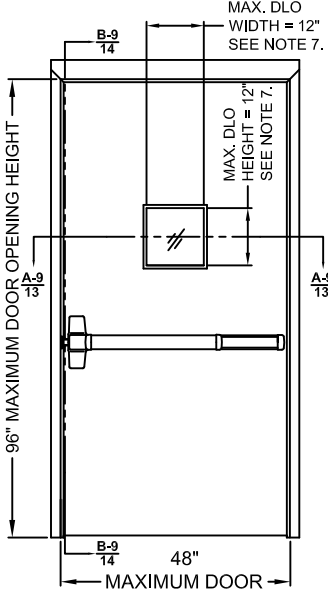
CONFIG.	DESIGN PRESSURE RATING, PSF	
	WHERE WATER INFILTRATION REQUIREMENT IS NEEDED SEE SHEET 5	WHERE WATER INFILTRATION REQUIREMENT IS NOT NEEDED SEE SHEET 6
7	±60	±60

RIM EXIT DEVICE



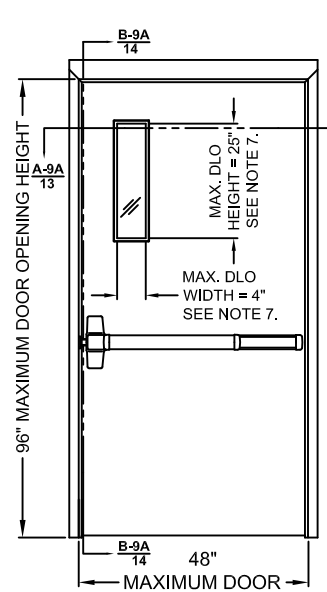
CONFIG.	DESIGN PRESSURE RATING, PSF	
	WHERE WATER INFILTRATION REQUIREMENT IS NEEDED SEE SHEET 5	WHERE WATER INFILTRATION REQUIREMENT IS NOT NEEDED SEE SHEET 6
8	±50	±50

RIM EXIT DEVICE



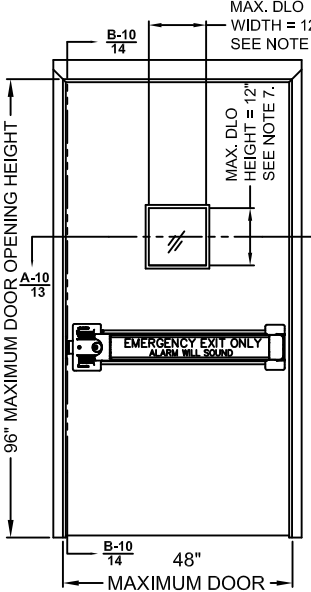
CONFIG.	DESIGN PRESSURE RATING, PSF	
	WHERE WATER INFILTRATION REQUIREMENT IS NEEDED SEE SHEET 5	WHERE WATER INFILTRATION REQUIREMENT IS NOT NEEDED SEE SHEET 6
9	±75	±100

RIM EXIT DEVICE



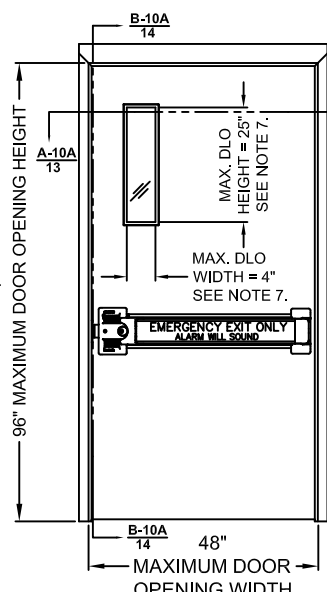
CONFIG.	DESIGN PRESSURE RATING, PSF	
	WHERE WATER INFILTRATION REQUIREMENT IS NEEDED SEE SHEET 5	WHERE WATER INFILTRATION REQUIREMENT IS NOT NEEDED SEE SHEET 6
9A	±75	±100

EXIT ALARM LOCK



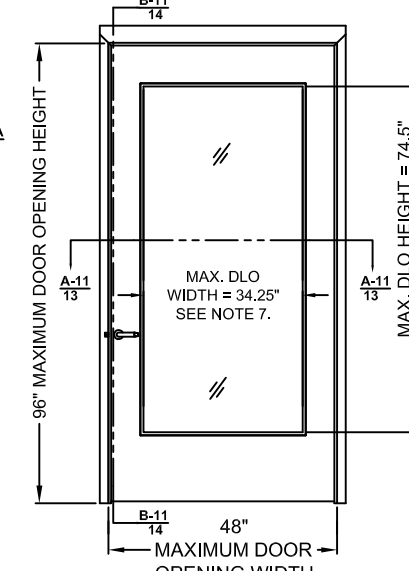
CONFIG.	DESIGN PRESSURE RATING, PSF	
	WHERE WATER INFILTRATION REQUIREMENT IS NEEDED SEE SHEET 5	WHERE WATER INFILTRATION REQUIREMENT IS NOT NEEDED SEE SHEET 6
10	±55	±55

EXIT ALARM LOCK



CONFIG.	DESIGN PRESSURE RATING, PSF	
	WHERE WATER INFILTRATION REQUIREMENT IS NEEDED SEE SHEET 5	WHERE WATER INFILTRATION REQUIREMENT IS NOT NEEDED SEE SHEET 6
10A	±55	±55

MORTISE LOCKSET WITH OR WITHOUT DEADBOLT

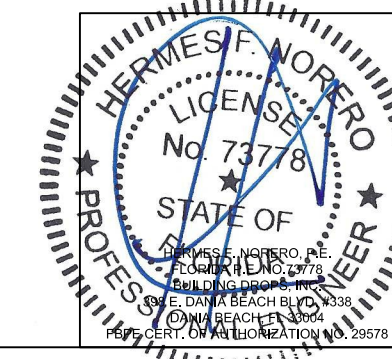


CONFIG.	DESIGN PRESSURE RATING, PSF	
	WHERE WATER INFILTRATION REQUIREMENT IS NEEDED SEE SHEET 5	WHERE WATER INFILTRATION REQUIREMENT IS NOT NEEDED SEE SHEET 6
11	±50	±50

COMPLIANCE STATEMENT:
 1. THESE PRODUCTS HAVE BEEN TESTED TO HVHZ PROTOCOLS TAS 201, 202 & 203-94, ASTM PROTOCOLS E283-04, E330-02 AND E331-00, AND COMPLY WITH CURRENT EDITION FLORIDA BUILDING CODE.

- NOTES:**
- INTERIOR VIEWS ARE SHOWN FOR ALL ELEVATIONS OF OUTSWING DOOR
 - SEE TABLE 1 ON SHEET 2 FOR GLAZING SIZE, HARDWARE APPLICATIONS AND LIMITATIONS
 - SEE SHEET 3 FOR HINGE REQUIREMENTS
 - SEE SHEET 4 FOR ANCHORING TYPES AND LIMITATIONS AND SHEET 5 & 6 FOR SILL WEATHERING INSTALLATION
 - SEE SHEET 5 TABLES 3.1 AND 3.2 FOR WATER RATED THRESHOLD AND WEATHERSTRIPPING INSTALLATION AND LIMITATIONS
 - SEE SHEET 6 TABLES 4.1 AND 4.2 FOR NON WATER RATED THRESHOLD AND WEATHERSTRIPPING INSTALLATION AND LIMITATIONS
 - SEE SHEET 9 FOR GLAZING OPTIONS AND DETAILS
 - DLO - DAYLIGHT OPENING SIZE, SAME AS EXPOSED GLASS. SEE SHEETS 1, 2, 8 AND 9 FOR LIMITATIONS
 - ALL CONFIGURATIONS MEET LARGE AND SMALL MISSILE IMPACT REQUIREMENTS- LARGE MISSILE IMPACT (50 F/S)

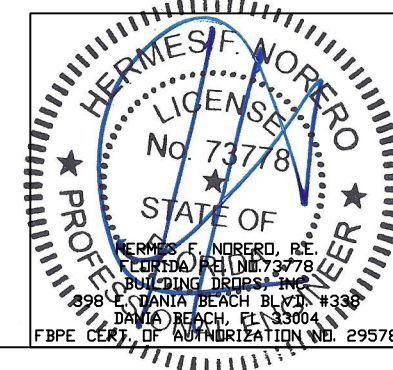
BEND RADIUS		SCHLAGE LOCK COMPANY, LLC 11819 N. PENNSYLVANIA STREET CARMEL, IN 46032	
THIRD ANGLE PROJECTION		TITLE: STEELCRAFT H SERIES SINGLE OUTSWING GLAZED COMMERCIAL STEEL DOORS WITH AND WITHOUT PANIC EXIT DEVICES	
DRAWN YMF	DATE 05/20/07	GLASS OUTSWING DOORS AND HARDWARE CONFIGURATIONS COMMERCIAL DOOR OPENING SINGLE GLASS DOORS.	
CHECKED		SIZE FLAT	DWG NO. IRGS07
APPROVED		SCALE: NTS	AUTOCAD
ENG. APPVL JPD	DATE 11/15/07	SHEET 1 of 16	REV N



Door Configuration	Maximum Design Pressure, PSF		Maximum Door Opening Size, in.		Maximum DLO Size, in. (NOTE 3)		Locking Hardware Description				Comments			
	Positive	Negative	Width	Height	Width	Height	Hardware Family	Model/Series	Strike Models	Brand				
1	75	75	36	84	24	64	Mortise Lock	L/LV9400, AD-MD, CO-MD	10-072	Schlage	Function with deadbolt, 3/4" min. throw latch & 1" min. throw bolt			
								L/LV9000, AD-MD, CO-MD			Function w/o deadbolt, 3/4" min. throw latch			
								LE-MS & LE-MD			Function with or w/o deadbolt, 3/4" min. throw latch & 1" min. throw bolt (if applicable)			
								M/MA			ANSI	Falcon	Function with or w/o deadbolt, 3/4" min. throw latch & 1" min. throw bolt (if applicable)	
2	75	75	36	84	24	64	Cylindrical Lock	D, ND, NDE, AD-CY, CO-CY	10-025	Schlage	1/2" min throw latch			
								T	ANSI	Falcon	1/2" min throw latch			
3	60	60	36	84	24	64	Surface Vertical Rod Exit Device	98/9927 & 98/9927-F	299-F,499-F Top, 304L,248L4 Bottom	Von Duprin				
								F-25-V & 25-V	3788 Top, 2130 Bottom	Falcon				
4	60	60	36	84	24	64	Concealed Vertical Rod Exit Device	98/9947-F & HH98/9947	338 Top, 304L or 385A Bottom	Von Duprin	HH98/9947 devices have a 2-3/4" backset			
								33/3547A -F & HH33/3547A	338 Top, 304L or 385A Bottom	Von Duprin	HH33/3547A devices have a 2-3/4" backset			
								F-25-C	4188 Top, 2130 Bottom	Falcon				
5	50	50	48	96	34.25	74.5	Three-Point Latching Device	98/9957 & 98/9957-F	299-F,499-F Top/Middle, 304L,248L4 Bottom	Von Duprin				
6	60	60	36	84	24	64	Three-Point Latching Device	98/9957 & 98/9957-F	299-F,499-F Top/Middle, 304L,248L4 Bottom	Von Duprin				
7	60	60	36	84	24	64	Rim Exit Device	98/99 & 98/99-F	299-F,499-F	Von Duprin				
								88-F	268	Von Duprin				
8	50	50	48	96	34.25	74.5	Rim Exit Device	98/99 & 98/99-F	299-F,499-F	Von Duprin				
								88-F	268	Von Duprin				
9	75/100 SEE NOTE 2.	75/100 SEE NOTE 2.	48	96	12	12	Rim Exit Device	XP98/99 & XP98/99-F	909/954	Von Duprin				
9A												3	33	
												4	25	
												5	20	
10												12	12	
10A	55	55	48	96	3	33	Exit Alarm Lock	2670 Guard-X	267	Von Duprin				
													4	25
													5	20
11	50	50	48	96	34.25	74.5	Mortise Lock	L/LV9400, AD-MD, CO-MD	10-072	Schlage	Function with deadbolt, 3/4" min. throw latch & 1" min. throw bolt			
								L/LV9000, AD-MS, CO-MS			Function w/o deadbolt, 3/4" min. throw latch			
								LE-MS & LE-MD			Function with or w/o deadbolt, 3/4" min. throw latch & 1" min. throw bolt (if applicable)			
								M/MA			ANSI	Falcon	Function with or w/o deadbolt, 3/4" min. throw latch & 1" min. throw bolt (if applicable)	
12	50	50	48	96	34.25	74.5	Cylindrical Lock	D, ND, NDE, AD-CY, CO-CY	10-025	Schlage	1/2" min throw latch			
								T	ANSI	Falcon	1/2" min throw latch			

REVISIONS			
LTR	DESCRIPTION	DATE	APPROVED
A	APPROVAL DWG	YMF 05/20/07	
B	REVISED DWG	RAP 11/26/07	
C	REVISED DWG	RAP 12/12/07	
D	REVISED DWG	YMF 07/29/08	
E	REVISED PER_MDBCCD	YMF 01/30/09	
F	REVISED PER_MDBCCD	YMF 02/04/09	
G	REVISED PER_MFR	YMF 05/18/09	
H	REVISED PER_MFR	YMF 04/09/10	
J	REVISED NAME	JPD 11/01/13	
K	REVISED DWG	JPD 02/01/15	
L	CHANGE OF EDR	LMS 12/01/16	
N	REVISED DWG	JPD 07/18/18	

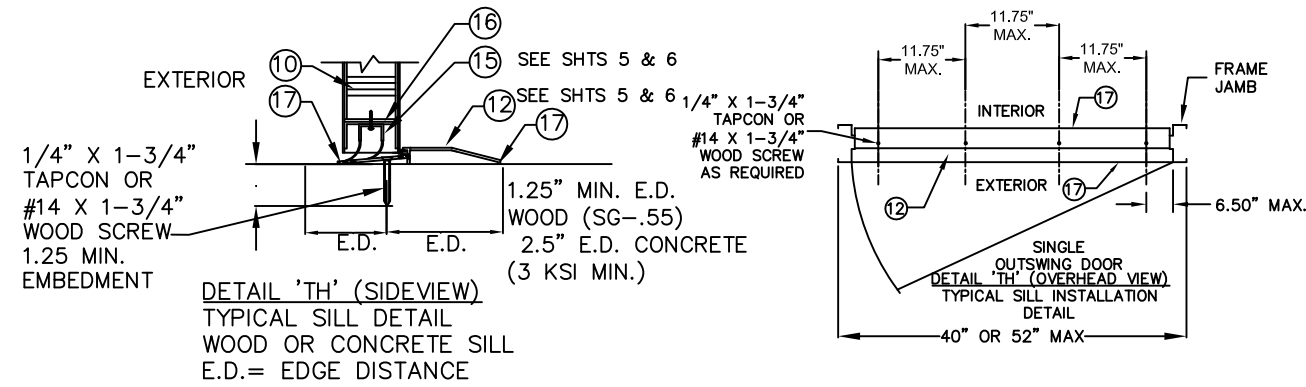
TABLE 1.



NOTES:
1. SEE SHEETS 10, 11 & 12 FOR LOCKING HARDWARE.
2. DOOR CONFIGURATIONS 9 AND 9A ARE RATED FOR MAXIMUM DESIGN PRESSURE UP TO ±75 PSF WITH ZERO INT'L THRESHOLD 12A OR FOR DOOR OPENINGS UP TO 3'-0" X 7'-0" WITH NGP THRESHOLD 12B AND ±50 PSF FOR DOOR OPENINGS UP TO 4'-0" X 8'-0" WITH NGP THRESHOLD 12B WHEN WATER INFILTRATION REQUIREMENT IS NEEDED. SEE SHEET 5
2.1 DOOR CONFIGURATIONS 9 AND 9A ARE RATED FOR A MAXIMUM DESIGN PRESSURE UP TO ±75PSF WITH ZERO INT'L THRESHOLD OPTIONS AND UP TO ±100 PSF WITH NGP THRESHOLD OPTIONS WHEN WATER INFILTRATION REQUIREMENT IS NOT NEEDED. SEE SHEET 6
3. DLO - DAYLIGHT OPENING, SAME AS EXPOSED GLASS. SEE SHEETS 1, 2, 8 & 9 FOR GLAZING TYPES, DETAILS AND LIMITATIONS.

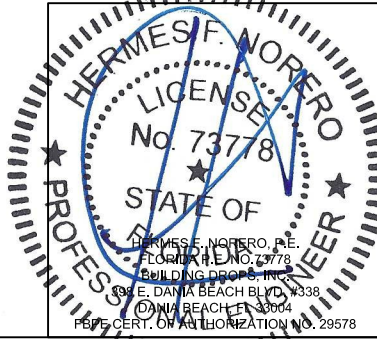
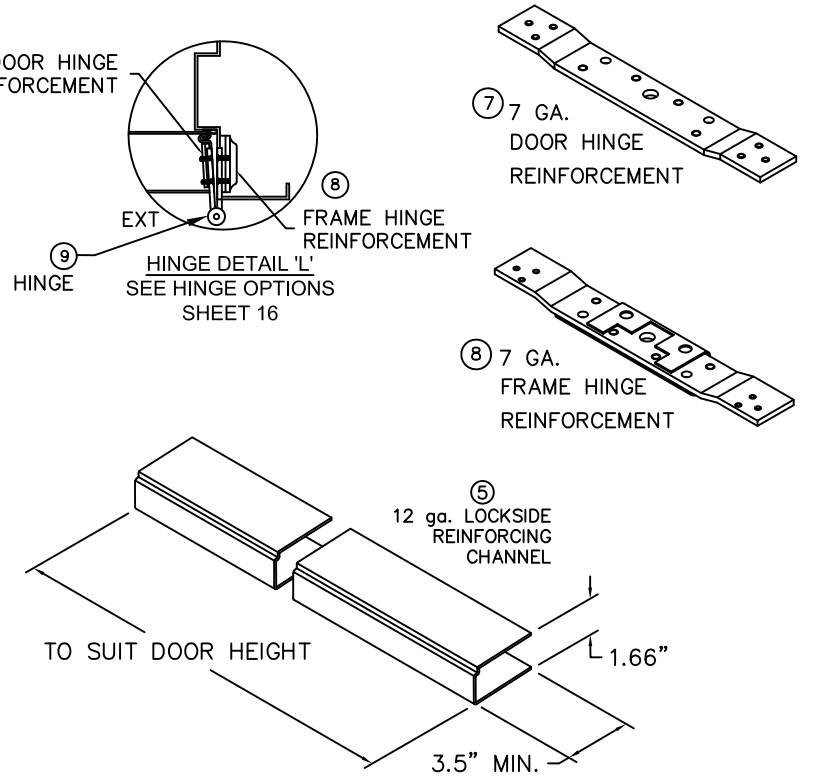
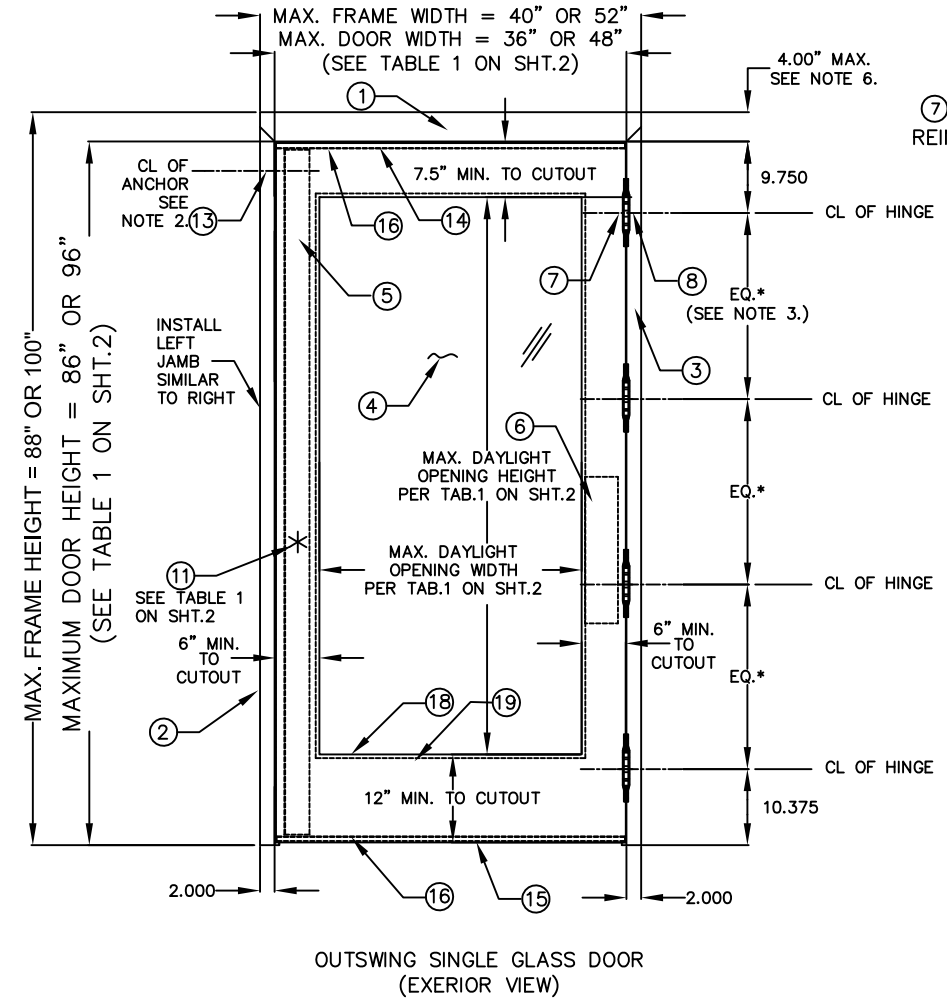
BEND RADIUS		SCHLAGE LOCK COMPANY, LLC 11819 N. PENNSYLVANIA STREET CARMEL, IN 46032	
		TITLE: STEELCRAFT H SERIES SINGLE OUTSWING GLAZED COMMERCIAL STEEL DOORS WITH AND WITHOUT PANIC EXIT DEVICES	
DRAWN YMF	DATE 05/20/07	GLASS OUTSWING DOORS AND HARDWARE CONFIGURATIONS COMMERCIAL DOOR OPENING SINGLE GLASS DOORS.	
CHECKED		SIZE	FLAT
APPROVED		DWG NO.	IRGS07
ENG. APPVL JPD	11/15/07	SCALE:	NTS AUTOCAD
		SHEET	2 of 16

- NOTES:
- ANCHOR REQUIREMENTS:
SEE SHEET 4 FOR APPROVED ANCHORS AND INSTALLATION.
 - HINGE REQUIREMENTS: 4.5" STD WT. MIN.
FOR DOOR OPENING UP TO 90" HIGH - MIN (3) HINGES
FOR DOOR OPENING OVER 90" - 96" HIGH - MIN (4) HINGES
STD LOCATIONS: 9.75" FROM RABBIT IN HEAD TO CL OF TOP HINGE
10.38" FROM FLOOR TO CL OF BOTTOM HINGE, EQUALLY SPACED
IN BETWEEN. HINGE LOCATIONS MAY VARY, MAX SPACING DO NOT EXCEED 35.5" FOR 3 HINGES.
SEE SHEET 16 FOR APPROVED CONTINUOUS HINGE MODELS.
 - SEE SHEETS 1, 2, 3 & 7 FOR AVAILABLE STANDARD OPENING SIZES AND SPECIFICATIONS.
 - HARDWARE INSTALLATION AS PER MANUFACTURER'S INSTRUCTIONS.
 - 4" FACE FRAME HEAD IS AVAILABLE. SEE SHEET 4.
 - APPLY CAULK TO FULL LENGTH OF SILL AND ENTIRE PERIMETER OF FRAME. SEE SHEETS 5 & 6
 - WEATHERSTRIPPING:
- WHEN WATER INFILTRATION IS REQUIRED INSTALL PER SHEET 5. (ZERO INTL 566 VS NGP 950)
- WHEN WATER INFILTRATION IS NOT REQUIRED - INSTALL PER SHEET 6. (ZERO INTL 566, 65 & 568 VS NGP 950)
 - SEE SHEET 13 FOR HORIZONTAL CROSS-SECTIONS, SEE SHEET 14 FOR VERTICAL CROSS-SECTIONS.
 - INSTALL REINFORCEMENT CHANNELS AROUND EACH LITE-CUTOUT.
 - ELECTRICAL INSTALLATION AND FIRE RATINGS ARE UNDER SEPARATE APPROVAL AND MUST BE REVIEWED BY CORRESPONDING AUTHORITY.
 - OPTIONAL POWER TRANSFERS, AND/OR "SIGNAL SWITCH" MAY BE USED AS ALLOWED BY CODE AND IT DOES NOT AFFECT THE MECHANICAL PROPERTIES OF EXIT DEVICE AND/OR INHIBIT EGRESS. TO BE REVIEWED BY BUILDING OFFICIAL.
 - TYPICAL SILL INSTALLATION SHALL BE ANCHORED PER OVERHEAD AND SIDEVIEW VIEW TH DETAILS ON THIS SHEET.
 - DAYLIGHT OPENING (DLO) IS THE SAME AS EXPOSED GLASS. SEE SHEETS 1, 2, 8 AND 9 FOR LIMITATIONS & GLAZING TYPES.
 - WHEN USING CONTINUOUS HINGE THE MINIMUM DISTANCE FROM DOOR EDGE TO EXPOSED GLASS IS 6-1/4" AT STILES AND 7-1/2" AT MIDRAILS.



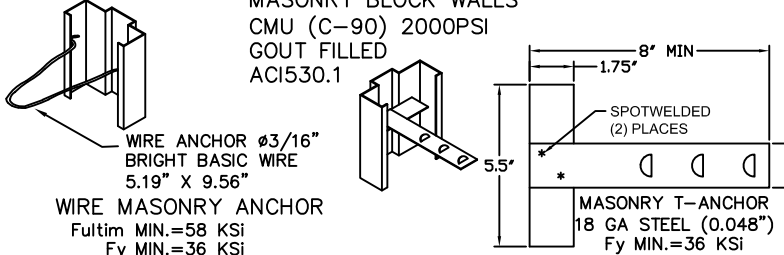
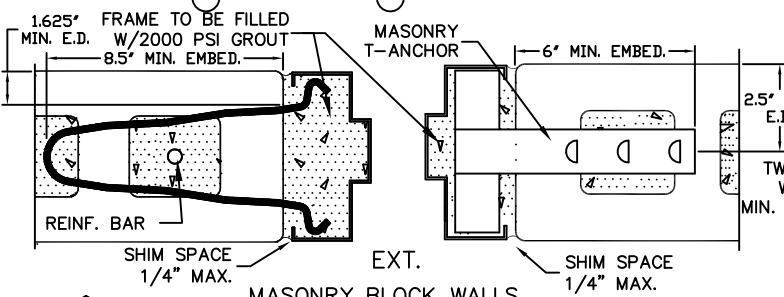
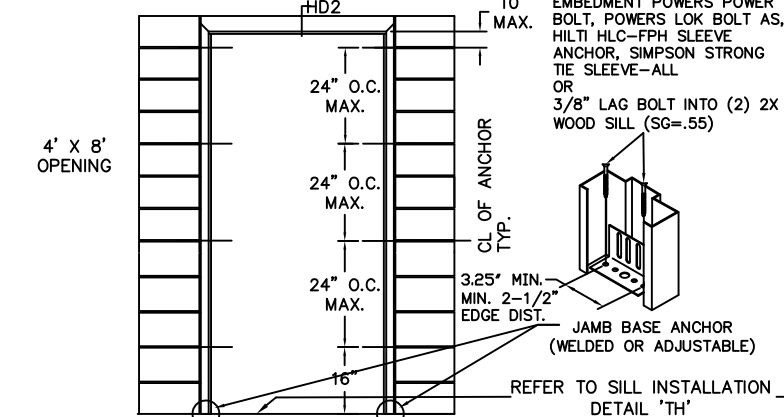
REVISIONS				
LTR	DESCRIPTION	DATE	APPROVED	
A	APPROVAL DWG.	YMF	05/20/07	
F	REVISED PER_MDBCCO	YMF	02/04/09	
G	REVISED DWG	YMF	01/04/10	
H	REVISED DWG	YMF	04/09/10	
J	REVISED NAME	JPD	11/01/13	
K	REVISED DWG	JPD	06/30/15	
L	ENGINEER CHANGE	LMS	12/01/16	
N	REVISED DWG	JPD	07/18/18	

ITEM	QUANTITY	DESCRIPTION	MATERIAL	SIZE, MAX.
1	1	HEAD SEE SHT 7 ASTM A366	.053" MIN. STL	MAX. 52"
2	1	STRIKE JAMB SEE SHT. 7 ASTM A366	.053" MIN. STL	MAX. 100"
3	1	HINGE JAMB SEE SHT 7 ASTM A366	.053" MIN. STL	MAX. 100"
4	1	LEXAN BY SABIC INNOVATIVE PLASTICS	.25" OR .50"	35.406" X 75.656" MAX
		LAMINATED GLASS WITH SENTRYGLAS INTERLAYER	.562" TYP.	
5	1	LOCK SIDE REINFORCEMENT CHANNEL	.093" MIN. STL	3.5 X 93.44 MAX,
		HINGE SIDE PANIC REINFORCEMENT	.067" MIN. STL	
6	1	HINGE REINFORCEMENT DOOR ASTM A621	.167" MIN. STL.	1.23" X 9.19" MIN.
7	NOTE 2.	HINGE REINFORCEMENT FRAME ASTM A621	.167" MIN. STL.	1.5" X 9.19" MIN.
8	NOTE 2.	4.5" X 4.5" BUTT HINGES (SEE SHT 16)	.134 MIN.	(8) #12-24 MS PER HINGE
9	NOTE 2.	OPTIONAL CONTINUOUS HINGE (SEE SHT 16)	.075" MIN. STL/.12 ALUM	MAX. 95"
10	1	CORE MATERIAL (SHEET 15): D) HONEYCOMB C) STEEL STIFFENED A & F) POLYSTYRENE B & F) POLYURETHANE/POLYISOCYANURATE E) MINERAL BOARD TEMPERATURE RISE CORE		
11	1	LOCKING HARDWARE - SEE SHEET 2 TABLE 1. THRESHOLD SILL W/BUMPER GASKET		
12	1	12A) 566 ZERO SEE SHT. 5 WATER RATED & 6 NON-WATER	.125" ALUM. 6063 T5	5.0"X0.5"X48"MAX.
		12B) 950 NGP SEE SHT. 5 WATER RATED & 6 NON-WATER	.078" ALUM. 6063 T5	
		12C) 65 ZERO SEE SHT. 6 NON WATER RATED	.125" ALUM. 6063 T5	
		12D) 568 ZERO SEE SHT. 6 NON WATER RATED	.125" ALUM. 6063 T5	
13	NOTE 1.	JAMB ANCHOR ASTM A924	SEE SHEET 4	
14	SEE SHEET 6	14A)PS074 DOOR SEAL STEELCRAFT 14B)188S 14C)117S 14D)8144S 14E)8150S DOOR SEAL ZERO	TPE SILICONE	MAX. 20'
15	1	FAS-SEAL DOOR SWEEP SEE SHEETS 5 & 6	TPE	MAX. 48"
16	2	END CHANNEL ASTM A924 (14 GA - INVERTED)	.067" MIN. STL	.69" X 1.66" X 48" MAX.
17	AS NEEDED	CAULK - BUTYL RUBBER OR 100% SILICONE	SEE SHEETS 5 & 6	
18	AS NEEDED	GLAZING HOLDING DOOR TRIM		34.25" X 74.5" EXPOSED GLASS MAX.
		1) DEZIGNER TRIM		
		2) STEEL OVERLAPPING TRIM	.032" MIN. STL	
		3) STEEL OVERLAPPING TRIM		
19	NOTE 9.	CUTOUT REINFORCEMENT CHANNEL (18 GA)	.047" MIN. STL	0.5"X1.56"X35.5"X 75.5" MAX
		DOOR SLAB (16 OR 14 GA)	SEE SHEET 7	
20	1	21A)188S DOOR SEAL BY ZERO INT'L 21B)PS074 DOOR SEAL BY STEELCRAFT	SILICONE SEE SHEET 5 TPE SEE SHEET 5	MAX. 20'
21	1	202N DOOR SEAL BY NGP	TPE SEE SHEET 5	MAX. 84" OR 96"
22	2	23A) 139 DOOR SWEEP BY ZERO INT'L		MAX. 36" OR 48"
		23B) 328 DOOR SWEEP BY ZERO INT'L	SEE SHEET 5	
		23C) 200N DOOR SWEEP BY ZERO INT'L		
23	1	24A) 475 ADJUSTABLE SEAL BY ZERO INT'L	TPE SEE SHEET 5	MAX. 84" OR 96" FOR JAMB MAX. 36" OR 48" FOR HEAD
		24B) 170N ADJUSTABLE SEAL BY NGP		
24	3	25A) 142 RAIN DRIP BY ZERO INT'L		MAX. 40" OR 52" FOR HEAD MAX. 36" OR 48" FOR DOOR
		25B) 11 RAIN DRIP BY ZERO INT'L	SEE SHEET 5	
		25C) 16A RAIN DRIP BY NGP		
25	1	TOP CAP GALV. A60 ASTM A924	.020" MIN. STL	0.5" X 1.76" X 36" OR 48"



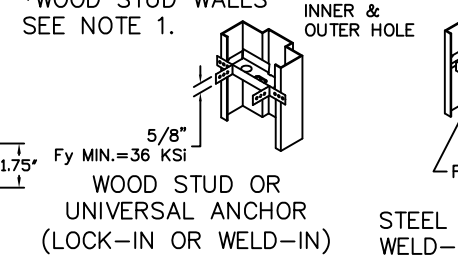
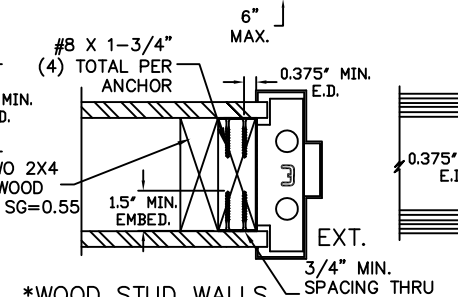
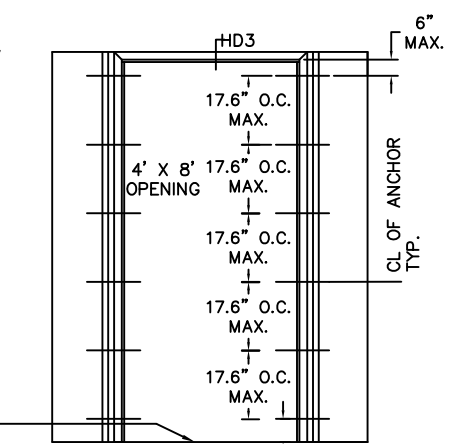
BEND RADIUS	SCHLAGE LOCK COMPANY, LLC 11819 N. PENNSYLVANIA STREET CARMEL, IN 46032			
THIRD ANGLE PROJECTION	TITLE: STEELCRAFT H SERIES SINGLE OUTSWING GLAZED COMMERCIAL STEEL DOORS WITH AND WITHOUT PANIC EXIT DEVICES			
DRAWN YMF	DATE 05/20/07	H-SERIES SINGLE GLASS DOORS (OUTSWING)		
CHECKED		SIZE FLAT	DWG NO. IRGS07	REV N
APPROVED		SCALE: NTS	AUTOCAD	SHEET 3 of 16
ENG. APPVL JPD	11/15/07			

A WIRE OR T MASONRY ANCHOR INTO GROUT FILLED FRAME AND BLOCK WALL

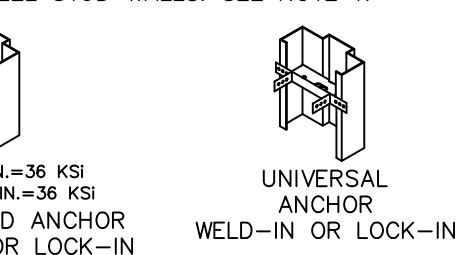
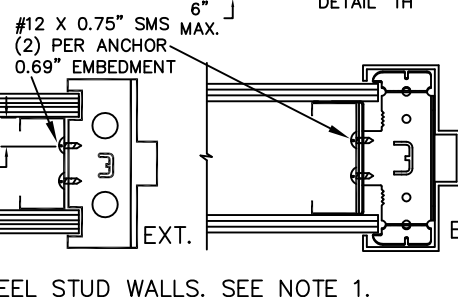
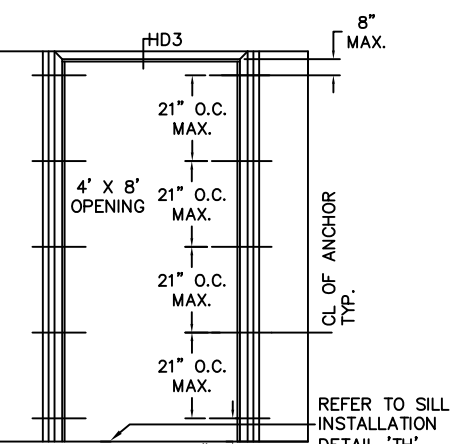


JAMB BASE ANCHOR INTO CONCRETE (3 KSI MIN.): #0.375\"/>

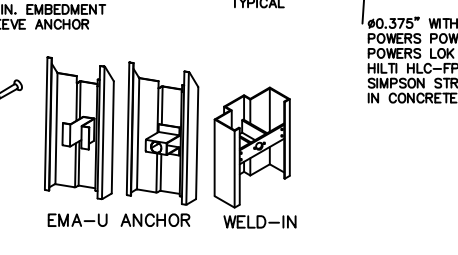
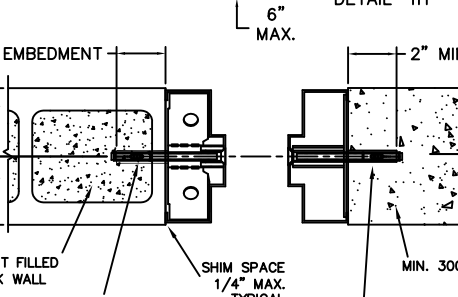
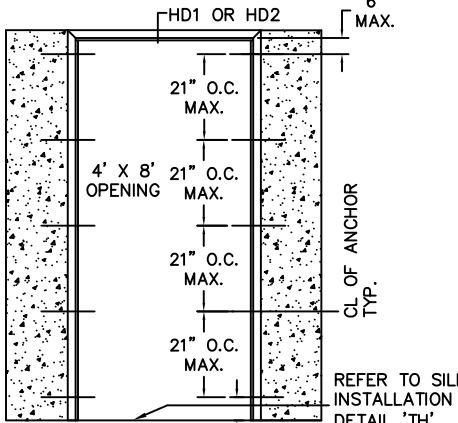
B WOOD STUD ANCHOR



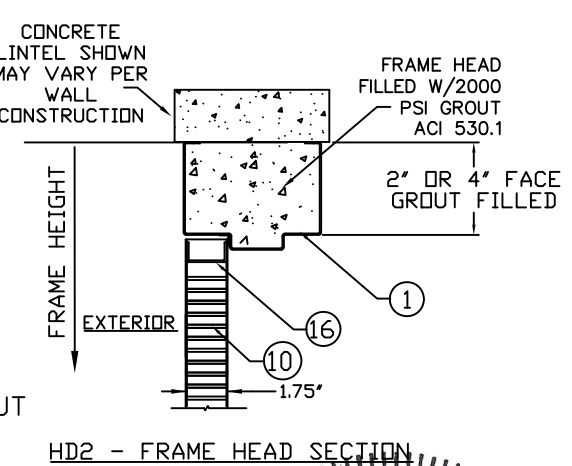
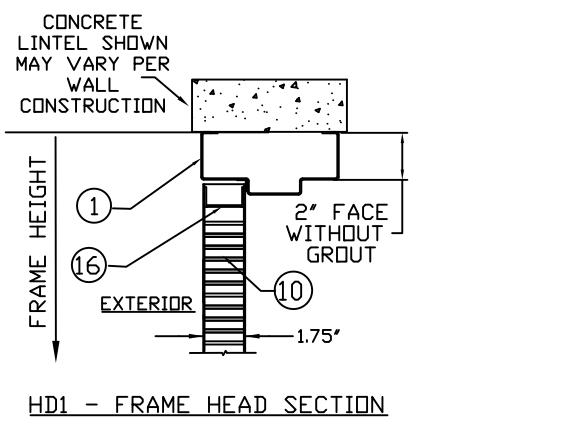
C STEEL STUD ANCHOR



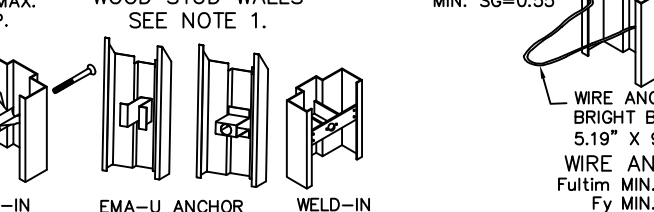
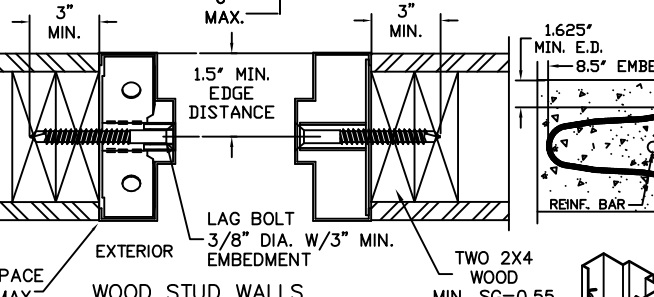
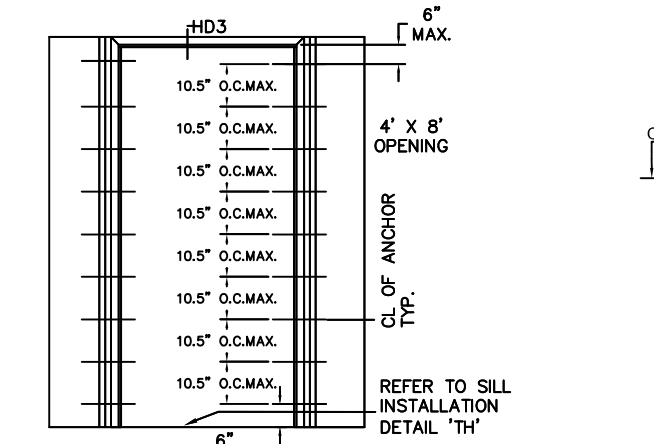
D EXISTING MASONRY ANCHOR (EMA) INTO CONCRETE WALL OR CMU



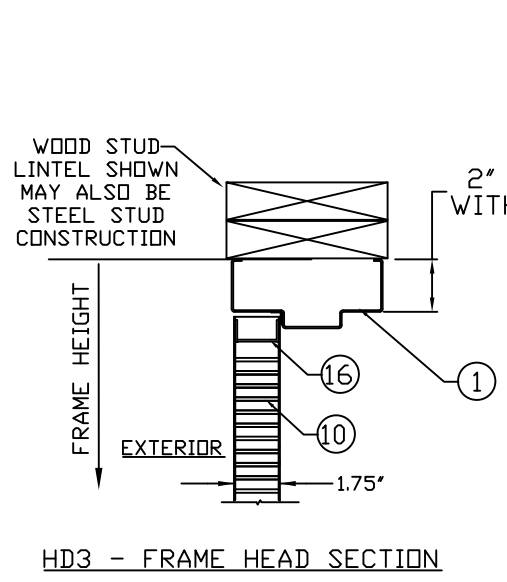
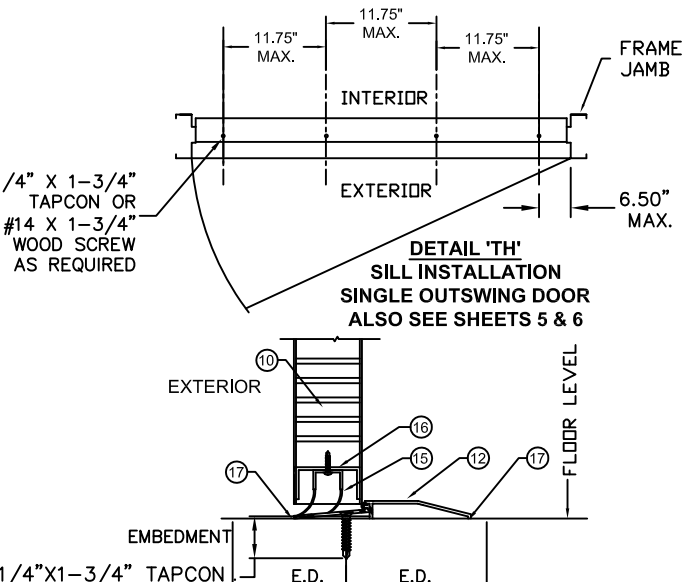
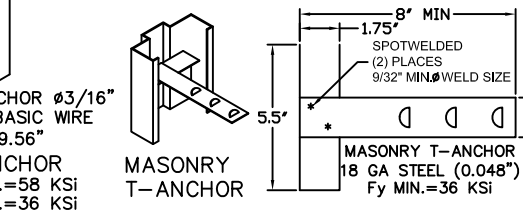
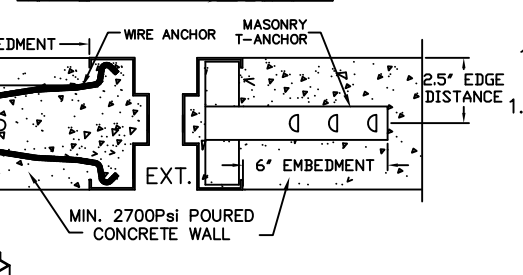
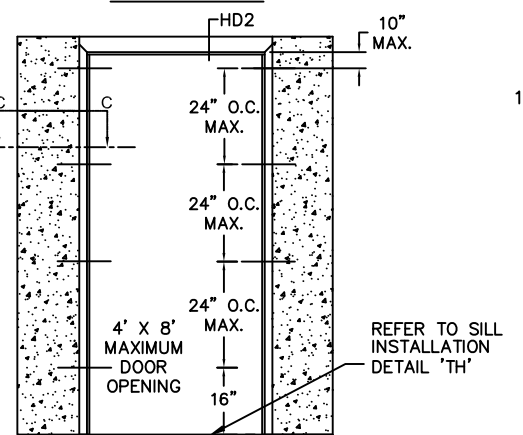
REVISIONS				
LTR	DESCRIPTION	DATE	APPROVED	
F	REVISED DWG	YMF	01/30/09	
G	REVISED DWG	YMF	01/04/10	
H	REVISED DWG	YMF	04/09/10	
J	REVISED NAME	JPD	11/01/13	
K	REVISED DWG	JPD	02/01/15	
L	REVISED DWG	JPD	06/30/15	
M	CHANGE OF EDR	LMS	12/01/16	
N	REVISED DWG	JPD	07/18/18	



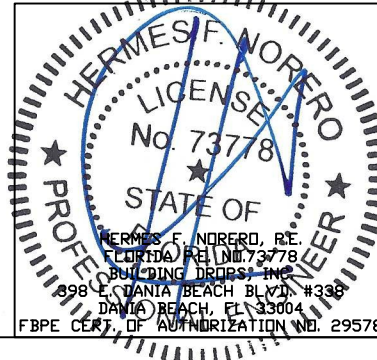
E EXISTING MASONRY ANCHOR (EMA) WITH LAG BOLT INTO WOOD STUD WALL



F POURED CONCRETE TILT UP WALL



NOTES:
 1. (*WOOD OR (*STEEL STRUCTURAL MEMBERS OF WOOD AND STEEL-STUD WALLS MUST BE DESIGNED TO CARRY AT LEAST 312 #/FT. LOAD FOR ASSEMBLIES RATED @75 PSF, AND 416 #/FT. FOR ASSEMBLIES RATED @100 PSF, WHICH SHOULD BE VERIFIED BY THE APPROPRIATE OFFICIAL.
 2. NUMBER OF ANCHORS FOR VARIOUS OPENING HEIGHTS IS LIMITED BY MAXIMUM DISTANCE BETWEEN ANCHORS, SHOWN ON THIS SHEET.
 3. SEAL ALL JOINTS WHERE FRAME MEETS WALL WITH BUTYL RUBBER OR 100% SILICONE CAULK
 4. INSTALL THRESHOLD INTO BEAD OF BUTYL RUBBER OR 100% SILICONE CAULK FULL LENGTH OF SILL

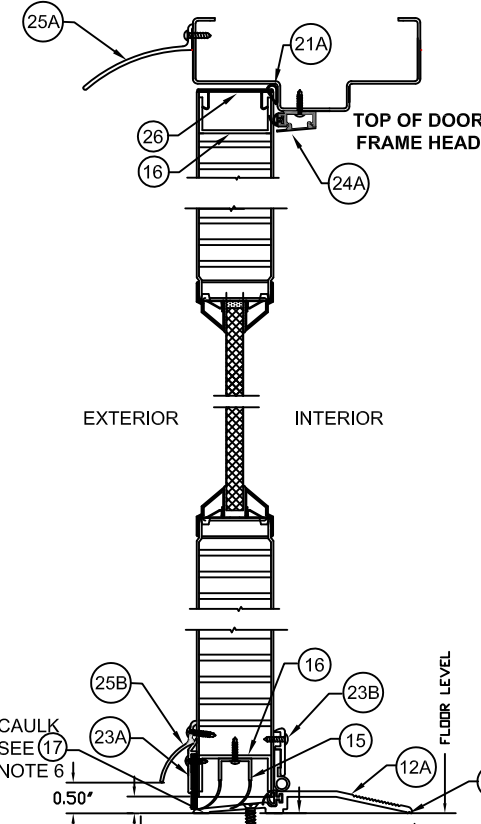
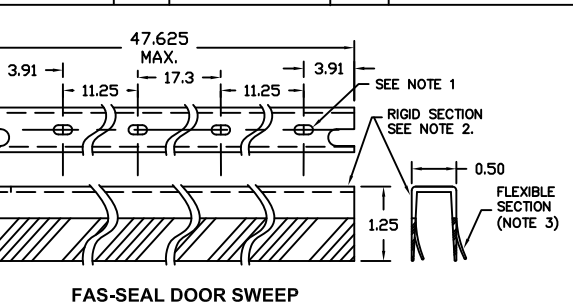
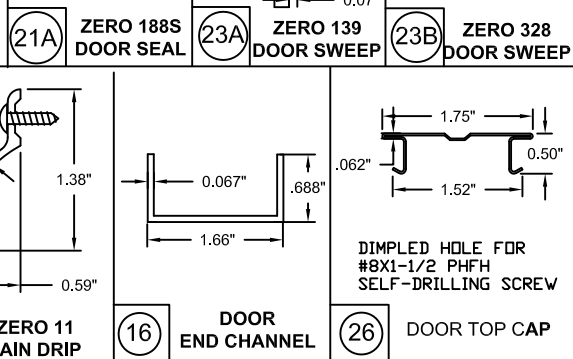
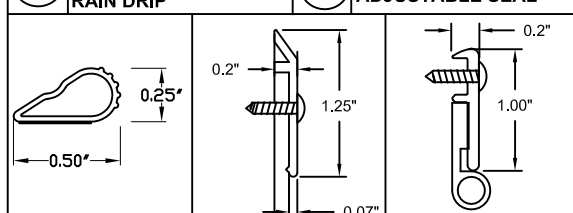
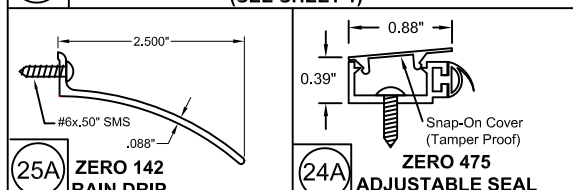
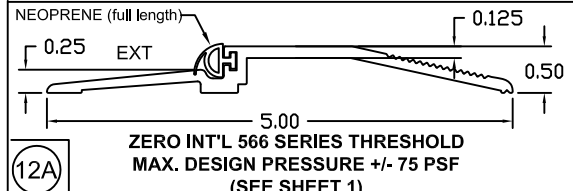


BEND RADIUS	SCHLAGE LOCK COMPANY, LLC 11819 N. PENNSYLVANIA STREET CARMEL, IN 46032	
THIRD ANGLE PROJECTION	TITLE: STEELCRAFT H SERIES SINGLE OUTSWING GLAZED COMMERCIAL STEEL DOORS WITH AND WITHOUT PANIC EXIT DEVICES	
DRAWN YMF	DATE 05/20/07	FRAME ANCHOR DETAILS & INSTALLATION CONDITIONS.
CHECKED		
APPROVED	SIZE FLAT	DWG NO. IRGS07
ENG. APPVL JPD	10/11/07	SCALE: NTS AUTOCAD
		SHEET 4 of 16

TABLE 3.1 WATER RATED PERIMETER SEAL HARDWARE - ZERO INT'L THRESHOLD 566

ITEM NUMBER	MODEL No./ DESCRIPTION	MFG.
12A	566 THRESHOLD	ZERO INT'L
15	FAS-SEAL SWEEP	STEELCRAFT
16	END CHANNEL	STEELCRAFT
21A	188S DOOR SEAL	ZERO INT'L
23A	139 DOOR SWEEP	ZERO INT'L
23B	328 DOOR SWEEP	ZERO INT'L
24A	475 ADJUSTABLE SEAL	ZERO INT'L
25A	142 RAIN DRIP	ZERO INT'L
25B	11 RAIN DRIP	ZERO INT'L
26	DOOR TOP CAP	STEELCRAFT

ZERO INT'L 566 THRESHOLD GASKETING SYSTEM REQUIREMENTS FOR WATER INFILTRATION - MAXIMUM DESIGN PRESSURE RATING 75PSF - MAXIMUM DOOR SIZE 4'-0" X 8'-0" (SEE ELEVATIONS, SHEET 1)



BOTTOM OF DOOR WEATHERSTRIPPING AND SILL INSTALLATION
 1/4"x1-3/4" TAPCON OR #14 WOOD SCREW
 1.25" MIN. EMBEDMENT
 1.25" MIN. EDGE DISTANCE INTO WOOD SILL (SG-.55)
 2.5" MIN. EDGE DISTANCE INTO CONCRETE SILL (3 KSI MIN.)

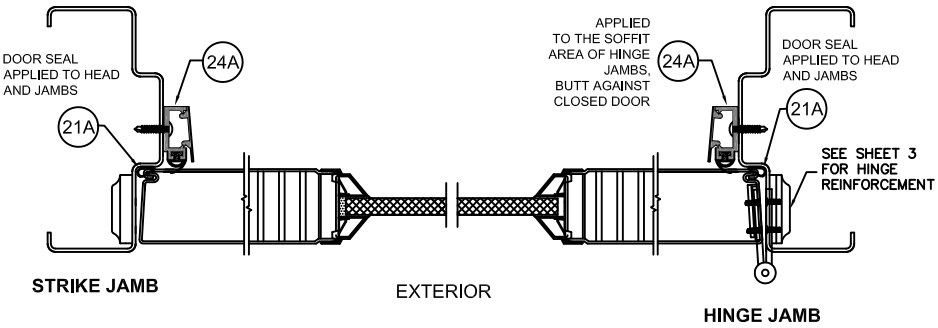
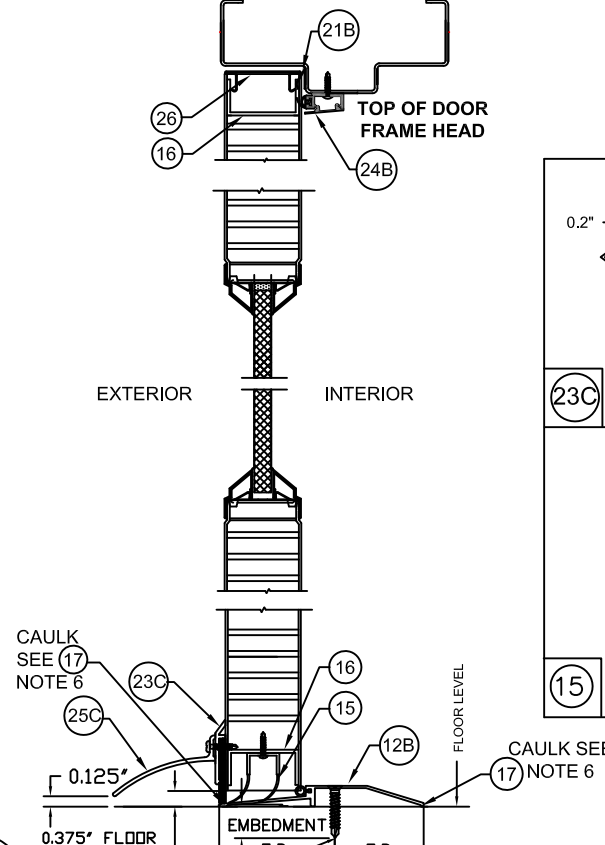
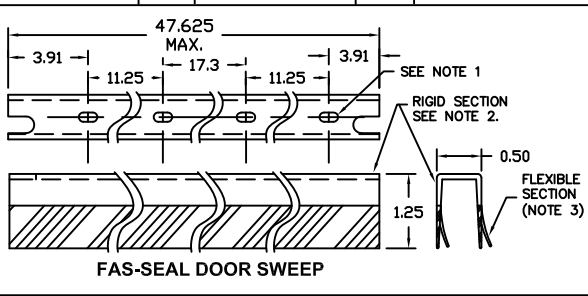
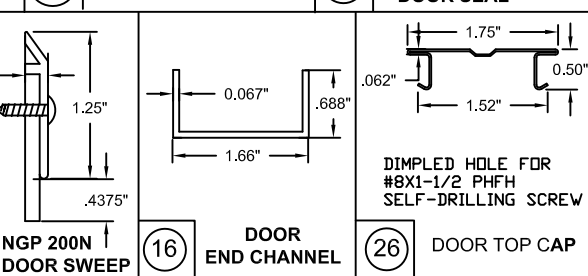
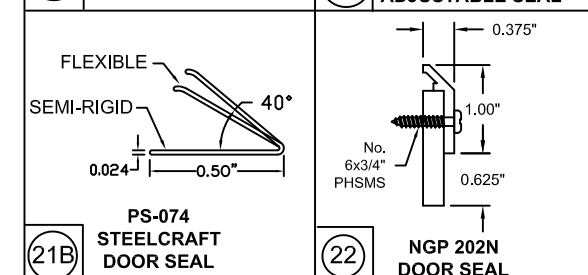
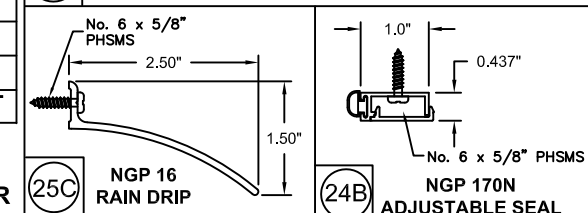
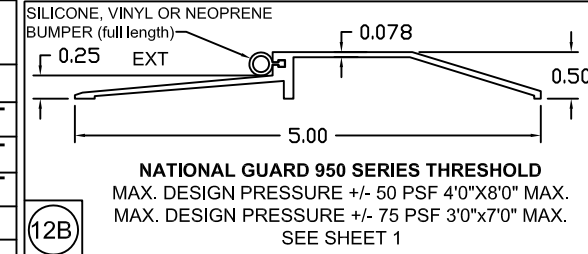


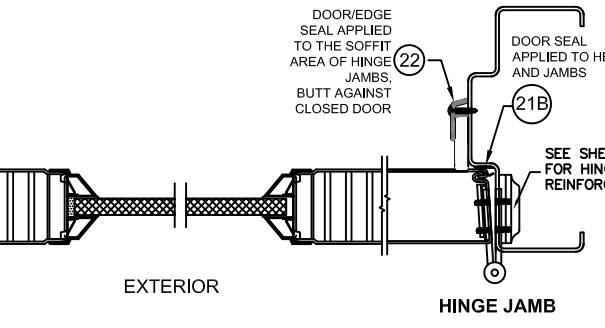
TABLE 3.2 WATER RATED PERIMETER SEAL HARDWARE - NGP THRESHOLD 950

ITEM NUMBER	MODEL No./ DESCRIPTION	MFG.
12B	950 THRESHOLD	NGP
15	FAS-SEAL SWEEP	STEELCRAFT
16	END CHANNEL	STEELCRAFT
21B	PS074 DOOR SEAL	STEELCRAFT
22	202N DOOR SEAL	NGP
23C	200N DOOR SWEEP	NGP
24B	170N ADJUSTABLE SEAL	NGP
25C	16A RAIN DRIP	NGP
26	DOOR TOP CAP	STEELCRAFT

NGP 950 THRESHOLD GASKETING SYSTEM REQUIREMENTS FOR WATER INFILTRATION - MAXIMUM DESIGN PRESSURE RATING 75PSF FOR MAXIMUM DOOR SIZE OF 3'-0" X 7'-0" MAXIMUM DESIGN PRESSURE 50 PSF FOR MAXIMUM DOOR SIZE OF 4'-0" X 8'-0" (SEE ELEVATIONS, SHEET 1)



BOTTOM OF DOOR WEATHERSTRIPPING AND SILL INSTALLATION
 1/4"x1-3/4" TAPCON OR #14 WOOD SCREW
 1.25" MIN. EMBEDMENT
 1.25" MIN. EDGE DISTANCE INTO WOOD SILL (SG-.55)
 2.5" MIN. EDGE DISTANCE INTO CONCRETE SILL (3 KSI MIN.)



- NOTES:**
1. SLOT LOCATIONS MAY VARY WITH DIFFERENT DOOR WIDTH.
 2. DOOR SWEEP RIGID SECTION IS MADE OF PRO-FAX #PD-199 POLYPROPYLENE HOMOPOLYMER.
 3. DOOR SWEEP FLEXIBLE SECTION IS MADE OF SANTOPRENE #101-73
 4. FAS-SEAL DOOR SWEEP (15), AND THRESHOLD (12A OR 12B AS REQUIRED) ARE REQUIRED FOR ALL INSTALLATIONS.
 5. SEAL ALL JOINTS WHERE FRAME MEETS WALL WITH BUTYL RUBBER OR 100% SILICONE CAULK
 6. INSTALL THRESHOLD INTO BEAD OF BUTYL RUBBER OR 100% SILICONE CAULK FULL LENGTH OF SILL

BEND RADIUS	
THIRD ANGLE PROJECTION	
DRAWN	YMF
CHECKED	
APPROVED	
ENG. APPVL	JPD
DATE	05/20/07
DATE	10/11/07

SCHLAGE LOCK COMPANY, LLC 11819 N. PENNSYLVANIA STREET CARMEL, IN 46032	
TITLE: STEELCRAFT H SERIES SINGLE OUTSWING GLAZED COMMERCIAL STEEL DOORS WITH AND WITHOUT PANIC EXIT DEVICES	
SINGLE GLAZED DOOR PERIMETER SEAL HARDWARE APPROVED WHERE WATER INFILTRATION IS REQUIRED	
SIZE	FLAT
DWG NO.	IRGS07
SCALE:	NTS
SHEET	5 of 16

REVISIONS				
LTR	DESCRIPTION	DATE	APPROVED	
C	REVISED DWG	RAP	12/12/07	
D	REVISED DWG	YMF	08/01/08	
E	REVISED DWG	YMF	01/30/09	
F	REVISED DWG	YMF	02/04/09	
G	REVISED DWG	YMF	01/04/10	
H	REVISED DWG	YMF	04/09/10	
J	REVISED NAME	JPD	11/01/13	
K	REVISED DWG	JPD	02/01/15	
L	REVISED DWG	JPD	06/30/15	
M	ENGINEER CHANGE	LMS	12/01/16	
N	REVISED DWG	JPD	07/18/18	

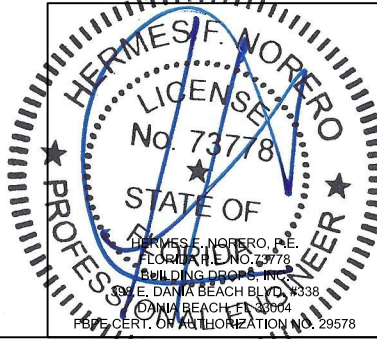
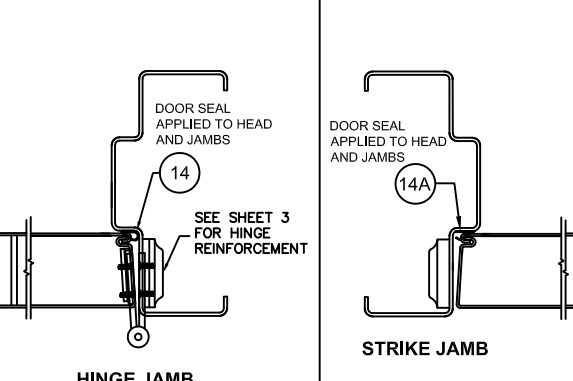
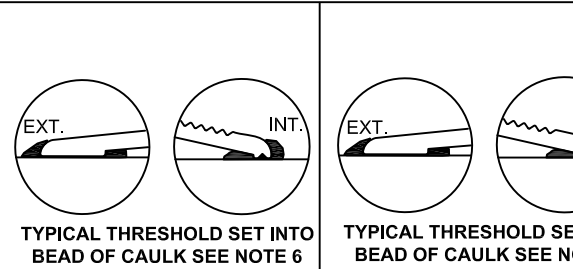
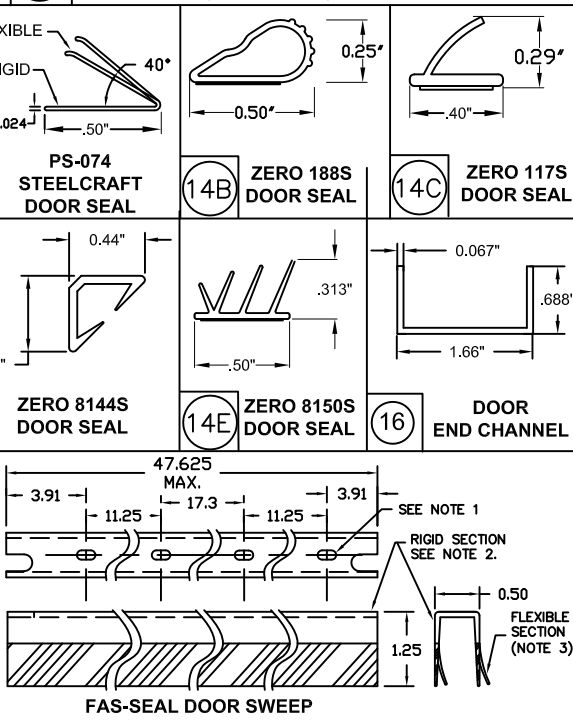
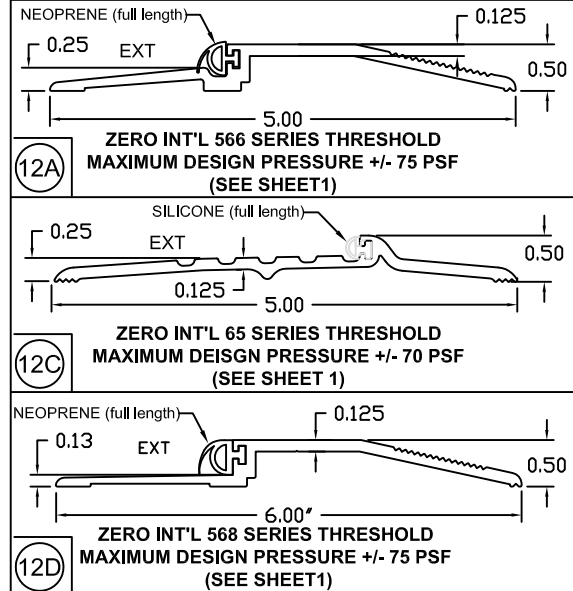


TABLE 4.1 NON WATER RATED PERIMETER SEAL HARDWARE - ZERO INT'L THRESHOLDS

ITEM NUMBER	MODEL No./ DESCRIPTION	MFG.
12	12A 566 THRESHOLD	ZERO INT'L
	12C 65 THRESHOLD	ZERO INT'L
	12D 568 THRESHOLD	ZERO INT'L
14	14A PS074 DOOR SEAL	STEELCRAFT
	14B 188S DOOR SEAL	ZERO INT'L
	14C 117S DOOR SEAL	ZERO INT'L
	14D 8144S DOOR SEAL	ZERO INT'L
14E 8150S DOOR SEAL	ZERO INT'L	
15	FAS-SEAL SWEEP	STEELCRAFT
16	END CHANNEL	STEELCRAFT



ZERO INT'L 566, 65 AND 568 THRESHOLD GASKETING SYSTEM REQUIREMENTS WHEN WATER INFILTRATION IS NOT REQUIRED
MAXIMUM DESIGN PRESSURE RATING 75 PSF -
MAXIMUM DOOR SIZE 4'-0" X 8'-0"
(SEE ELEVATIONS, SHEET 1)

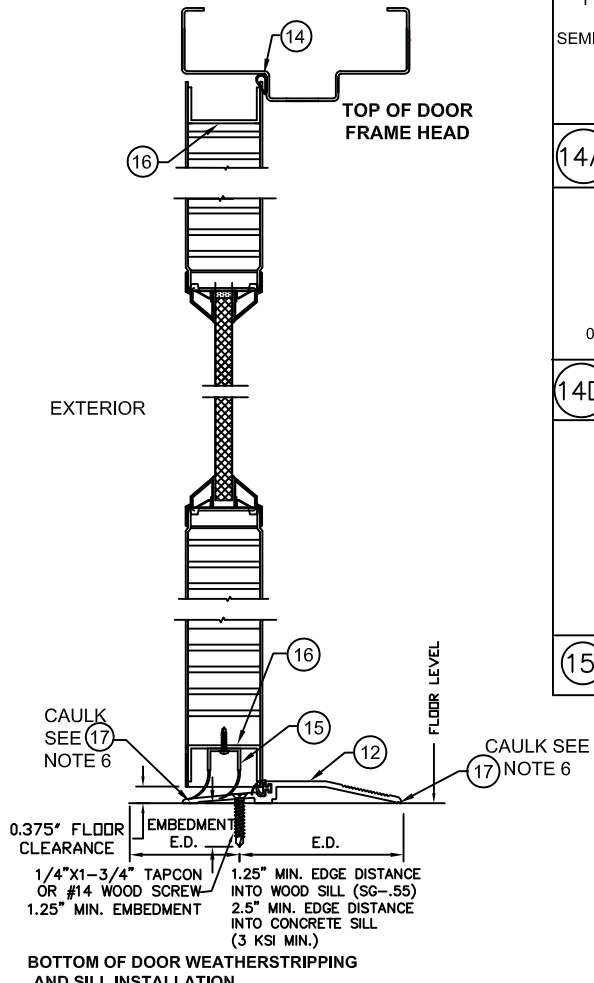
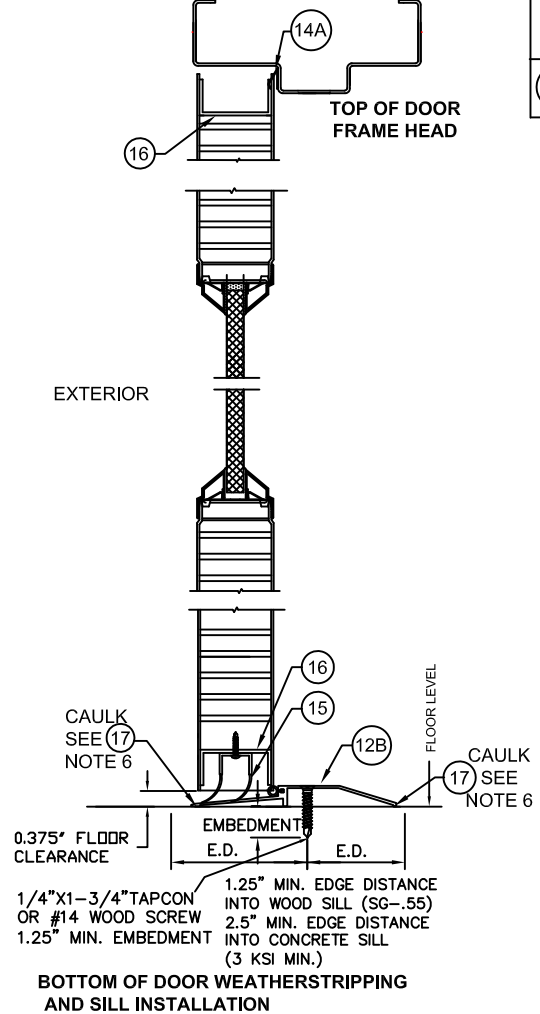
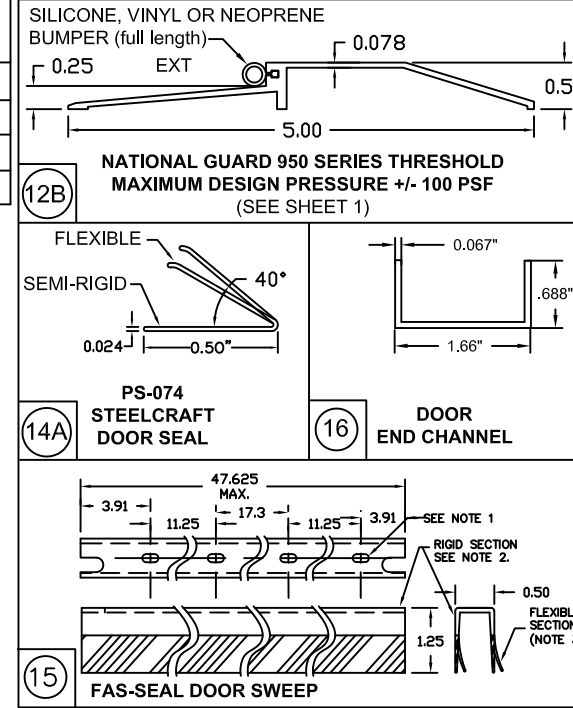


TABLE 4.2 NON WATER RATED PERIMETER SEAL HARDWARE - NGP THRESHOLD 950

ITEM NUMBER	MODEL No./ DESCRIPTION	MFG.
12B	950 THRESHOLD	NGP
14A	PS074 DOOR SEAL	STEELCRAFT
15	FAS-SEAL SWEEP	STEELCRAFT
16	END CHANNEL	STEELCRAFT

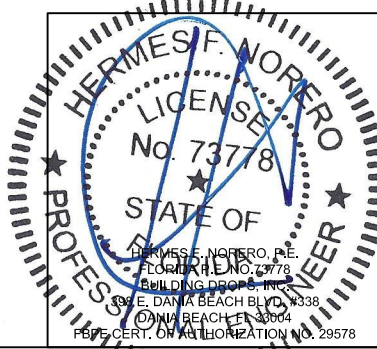
NGP 950 THRESHOLD GASKETING SYSTEM REQUIREMENTS WHEN WATER INFILTRATION IS NOT REQUIRED -
MAXIMUM DESIGN PRESSURE 100 PSF FOR
MAXIMUM DOOR SIZE OF 4'-0" X 8'-0"
(SEE ELEVATIONS, SHEET 1)



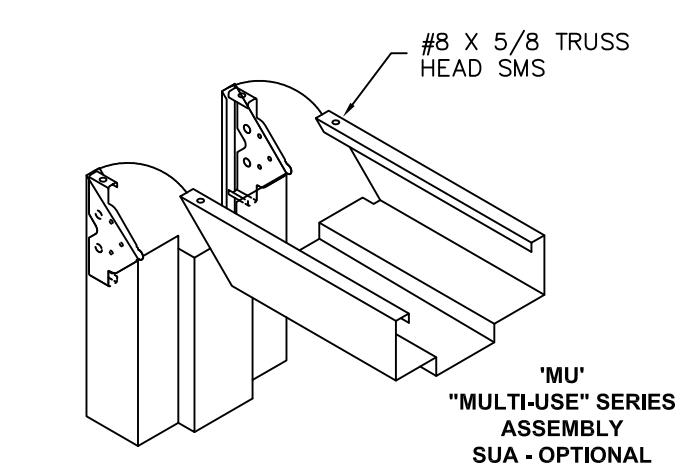
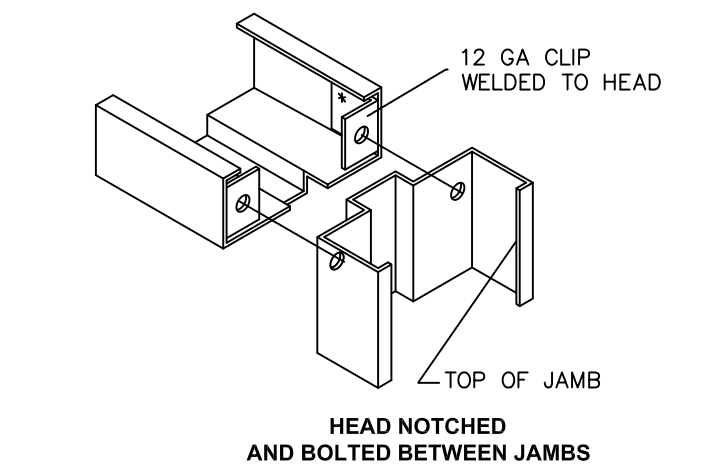
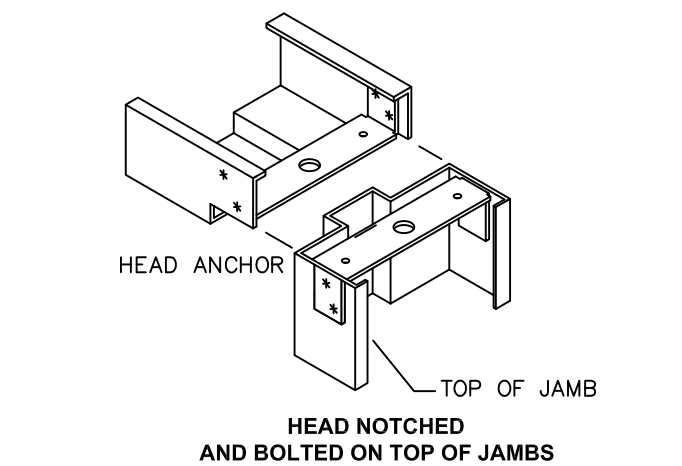
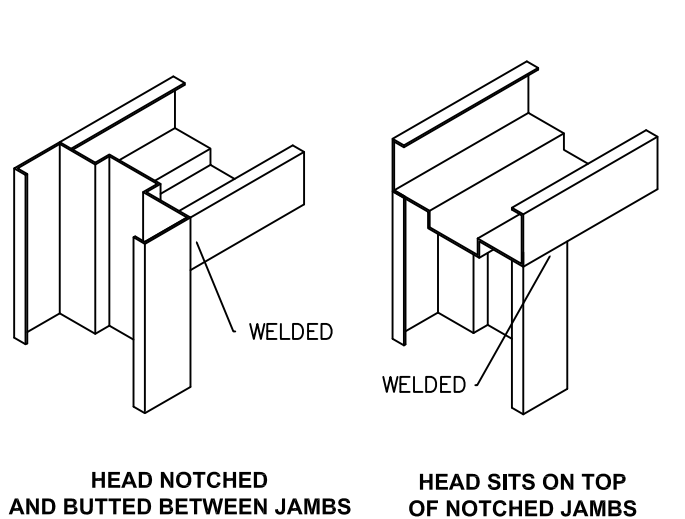
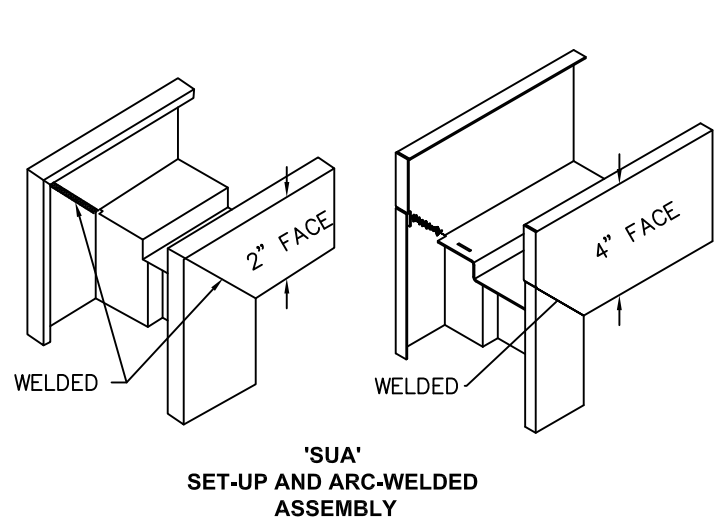
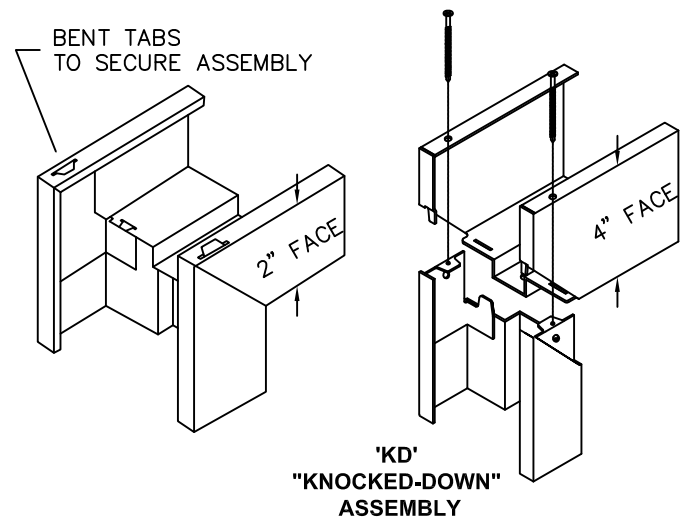
- NOTES:**
1. SLOT LOCATIONS MAY VARY WITH DIFFERENT DOOR WIDTH.
 2. DOOR SWEEP RIGID SECTION IS MADE OF PRO-FAX #PD-199 POLYPROPYLENE HOMOPOLYMER.
 3. DOOR SWEEP FLEXIBLE SECTION IS MADE OF SANTOPRENE #101-73
 4. FAS-SEAL DOOR SWEEP (15), DOOR SEAL (14A, 14B, 14C, 14D, 14E) AND THRESHOLD (12A, 12B, 12C, 12D) AS APPLICABLE, ARE REQUIRED FOR ALL INSTALLATIONS.
 5. SEAL ALL JOINTS WHERE FRAME MEETS WALL WITH BUTYL RUBBER OR 100% SILICONE CAULK
 6. INSTALL THRESHOLD INTO BEAD OF BUTYL RUBBER OR 100% SILICONE CAULK FULL LENGTH OF SILL

REVISIONS

LTR	DESCRIPTION	DATE	APPROVED
B	REVISED DWG	RAP	11/26/07
C	REVISED DWG	RAP	12/12/07
D	REVISED DWG	YMF	08/01/08
E	REVISED DWG	YMF	01/30/09
F	REVISED DWG	YMF	02/04/09
G	REVISED DWG	YMF	01/04/10
H	REVISED DWG	YMF	04/09/10
J	REVISED NAME	JPD	11/01/13
K	REVISED DWG	JPD	02/01/15
L	REVISED DWG	JPD	06/30/15
M	ENGINEER CHANGE	LMS	12/01/16
N	REVISED DWG	JPD	07/18/18



BEND RADIUS		SCHLAGE LOCK COMPANY, LLC 11819 N. PENNSYLVANIA STREET CARMEL, IN 46032	
THIRD ANGLE PROJECTION		TITLE: STEELCRAFT H SERIES SINGLE OUTSWING GLAZED COMMERCIAL STEEL DOORS WITH AND WITHOUT PANIC EXIT DEVICES	
DRAWN	DATE	SINGLE GLAZED DOOR PERIMETER SEAL HARDWARE APPROVED WHERE WATER INFILTRATION IS NOT REQUIRED	
YMF	05/20/07	SIZE	FLAT
CHECKED		DWG NO.	IRGS07
APPROVED		SCALE:	NTS
ENG. APPVL	10/11/07	AUTOCAD	SHEET 6 of 16
JPD			REV N



REVISIONS

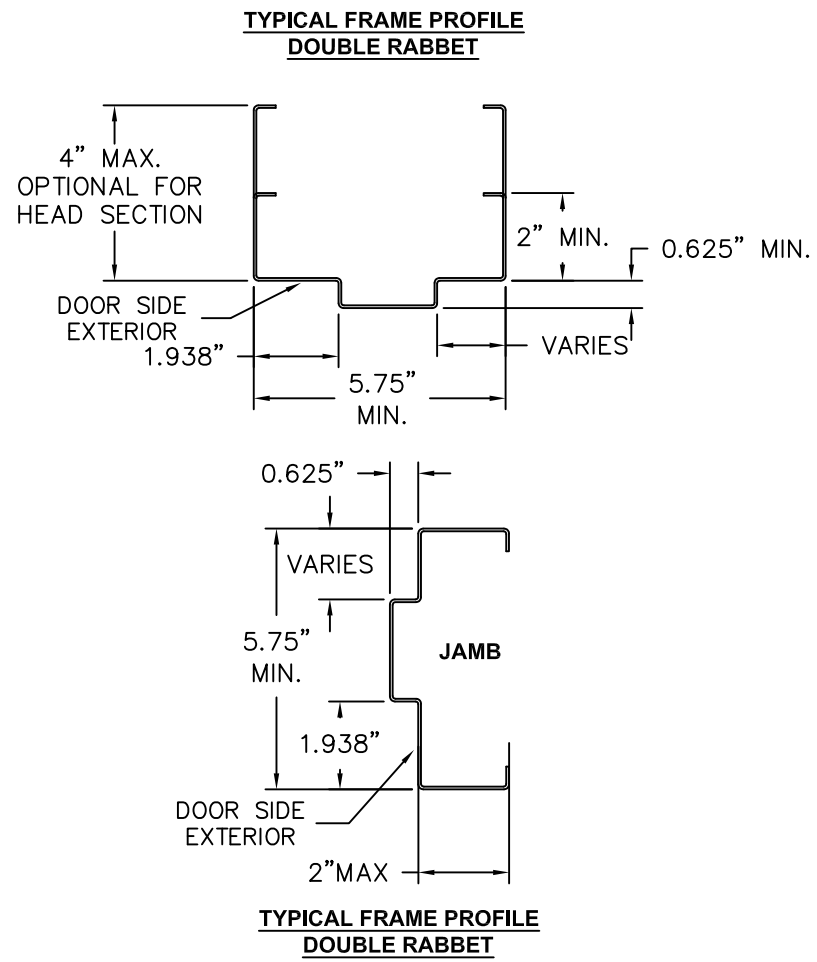
LTR	DESCRIPTION	DATE	APPROVED
A	APPROVAL DWG	YMF 05/20/07	
D	REVISED DWG	YMF 08/06/08	
E	REVISED PER_MDBCCO	YMF 01/30/09	
F	REVISED PER_MDBCCO	YMF 02/04/09	
G	REVISED DWG	YMF 01/04/10	
H	REVISED DWG	YMF 04/09/10	
J	REVISED NAME	JPD 11/01/13	
K	REVISED DWG	JPD 02/01/15	
L	CHANGE OF EOR	LMS 12/01/16	
N	REVISED DWG	JPD 07/18/18	

TABLE 5. AVAILABLE STEELCRAFT DOOR CONFIGURATIONS

CORE MATERIAL PER SHT.14	MAXIMUM OPENING SIZE		SKIN MATERIAL	
	WIDTH	HEIGHT	DESCR.	GA./MIN. THK
HONEYCOMB POLYSTYRENE POLYURETHANE (POLYISOCYANURATE) TEMPERATURE RISE STEEL STIFFENED	VARIES SEE SHT 2 TABLE 1		CRS GALV	16/.053" 14/.067"
HONEYCOMB POLYSTYRENE POLYURETHANE	VARIES SEE SHT 2 TABLE 1		STAINLESS STEEL	16/.053"

TABLE 6. AVAILABLE STEELCRAFT FRAME CONFIGURATIONS

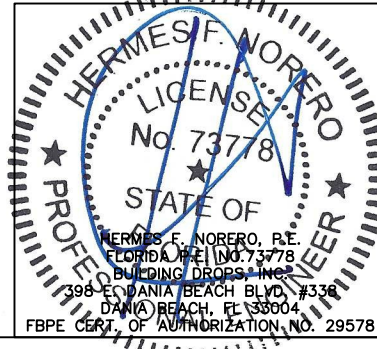
FRAME SERIES	JAMB DEPTH	MAXIMUM OPENING SIZE		MATERIAL	
		WIDTH	HEIGHT	DESCR.	GA./MIN. THK
F	5.75" MIN.	VARIES SEE SHT 2 TABLE 1		CRS/HRS GALV	16/.053" 14/.067" 12/.099"
				STAINLESS STEEL	16/.053"
MU	5.75" MIN.	VARIES SEE SHT 2 TABLE 1		CRS/HRS GALV	16/.053" 14/.067"



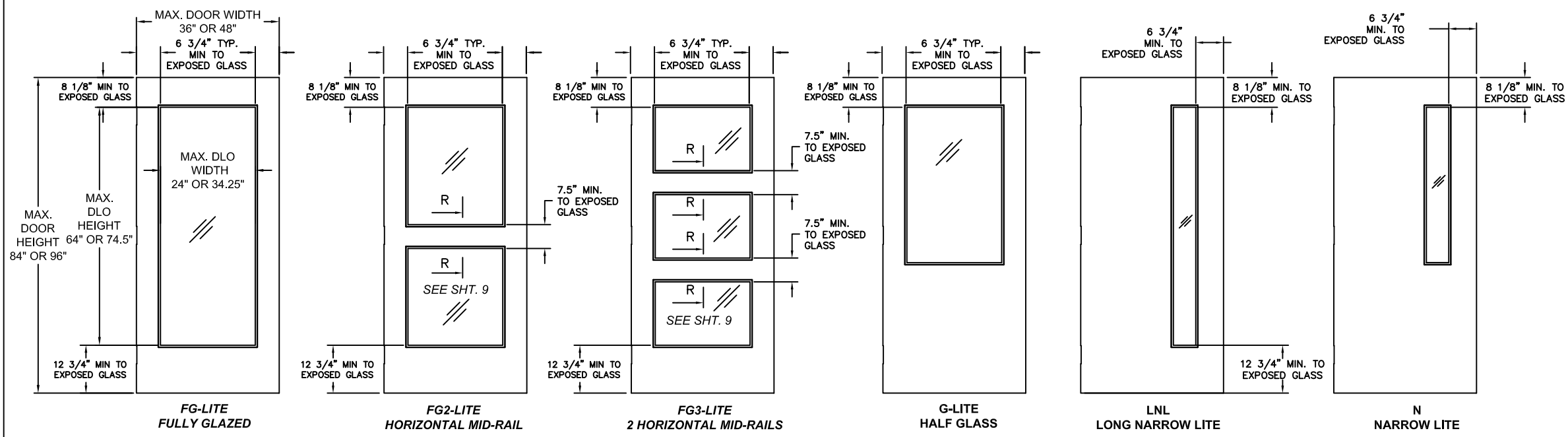
- NOTES:
- DOOR CONSTRUCTION
 - MINIMUM DOOR THICKNESS - 1 3/4"
 - DOOR SIZE MAY VARY, SUBJECTED TO COMPLIANCE WITH FLORIDA BUILDING CODE AND PRODUCT AVAILABILITY FROM MANUFACTURER (SEE SHEET 2 FOR AVAILABLE HARDWARE)
 - FRAME CONSTRUCTION
 - MINIMUM JAMB DEPTH - 5 3/4", STOP HEIGHT - 5/8"
 - FRAMES AVAILABLE AS FLUSH (F-SERIES) AND MULT-USE (MU-SERIES) (SEE TABLE 6)
 - FOR DOOR AND FRAME MATERIAL SPECIFICATIONS REFERENCE SEE TABLE 7.

TABLE 7. STEEL MECHANICAL PROPERTIES

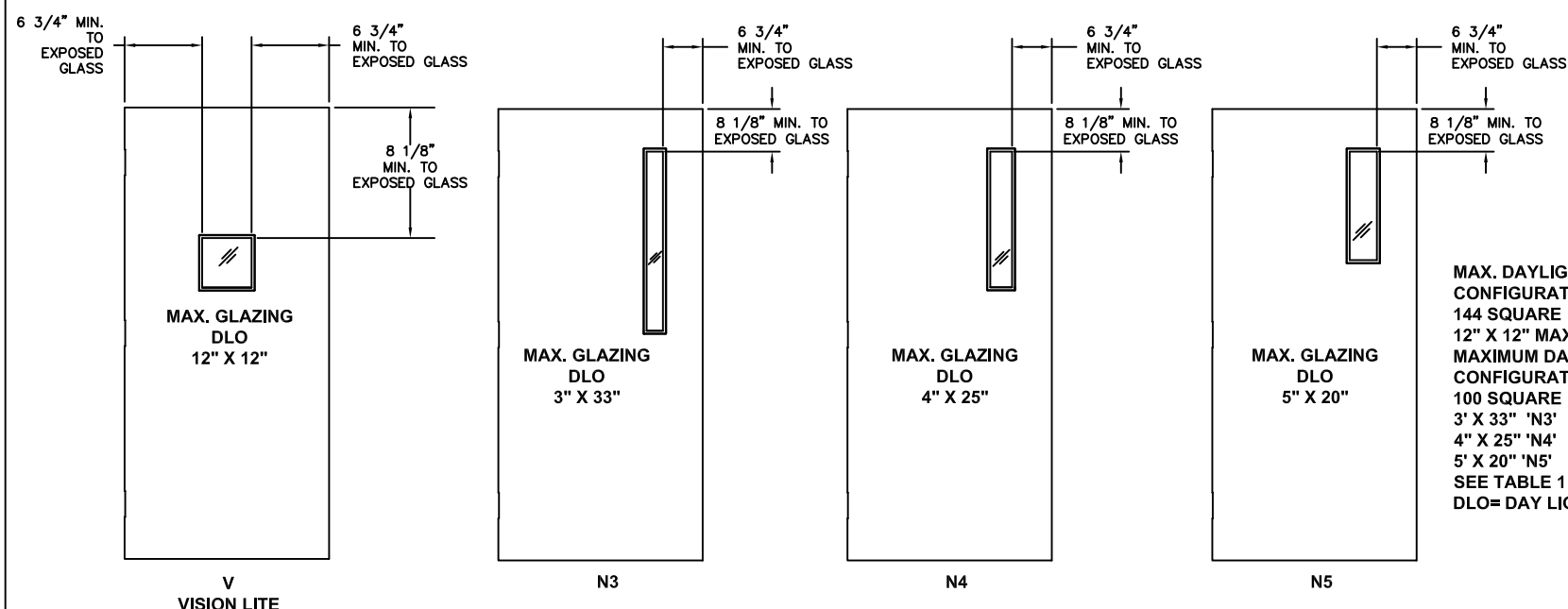
MATERIAL	ASTM REF.	YIELD KSI	TENSILE KSI
CRS	A366	MIN. 41.5	MIN. 52.4
HRS	A1011		
GALV: A60	A924	MIN. 41.5	MIN. 73.2
SS: 304,316	A240		



BEND RADIUS		SCHLAGE LOCK COMPANY, LLC 11819 N. PENNSYLVANIA STREET CARMEL, IN 46032			
THIRD ANGLE PROJECTION		TITLE: STEELCRAFT H SERIES SINGLE OUTSWING GLAZED COMMERCIAL STEEL DOORS WITH AND WITHOUT PANIC EXIT DEVICES			
DRAWN YMF	DATE 05/20/07	FRAME PROFILE, CORNER DETAILS AND DOOR FRAME MATERIAL, AND SIZE OPTIONS.			
CHECKED		SIZE	FLAT	DWG NO.	REV
APPROVED				IRGS07	N
ENG. APPVL JPD	11/15/07	SCALE:	NTS	AUTOCAD	SHEET 7 of 16



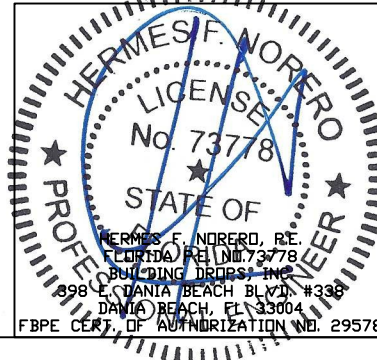
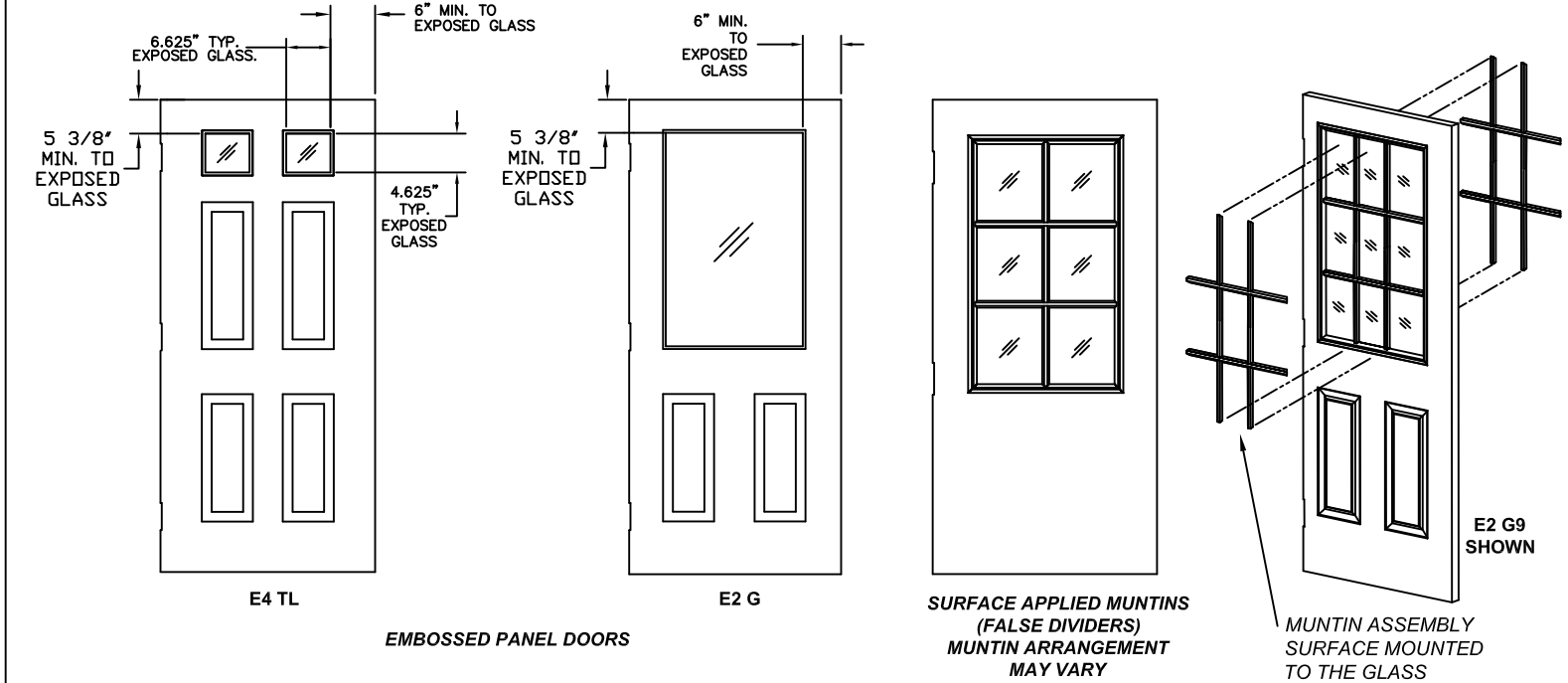
REVISIONS				
LTR	DESCRIPTION	DATE	APPROVED	
A	APPROVAL DWG	YMF	05/20/07	
B	REVISED DWG	RAP	11/26/07	
C	REVISED DWG	RAP	12/12/07	
D	REVISED DWG	YMF	07/29/08	
E	REVISED PER_MDBCCD	YMF	01/30/09	
F	REVISED PER_MDBCCD	YMF	02/04/09	
G	REVISED DWG	YMF	01/04/10	
H	REVISED DWG	YMF	04/09/10	
J	REVISED NAME	JPD	11/01/13	
K	REVISED DWG	JPD	02/01/15	
L	CHANGE OF EDR	LMS	12/01/16	
N	REVISED DWG	JPD	07/18/18	



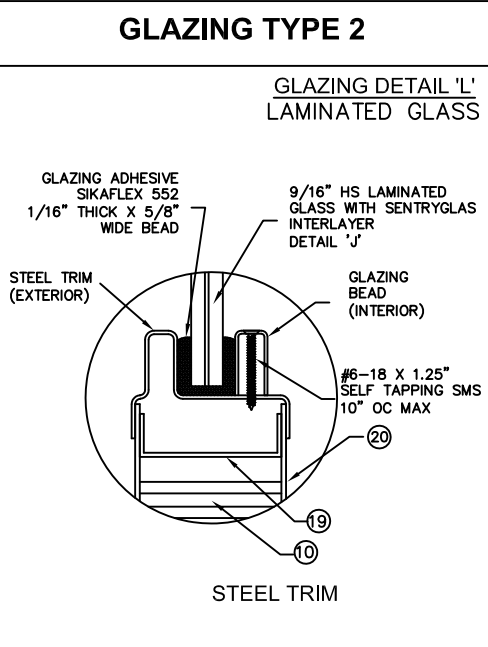
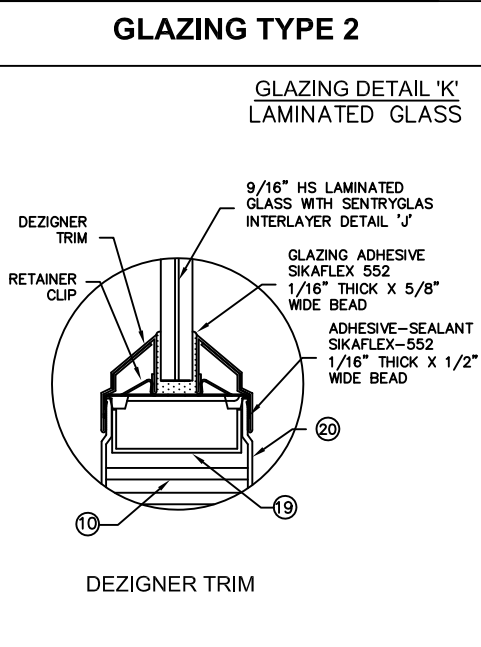
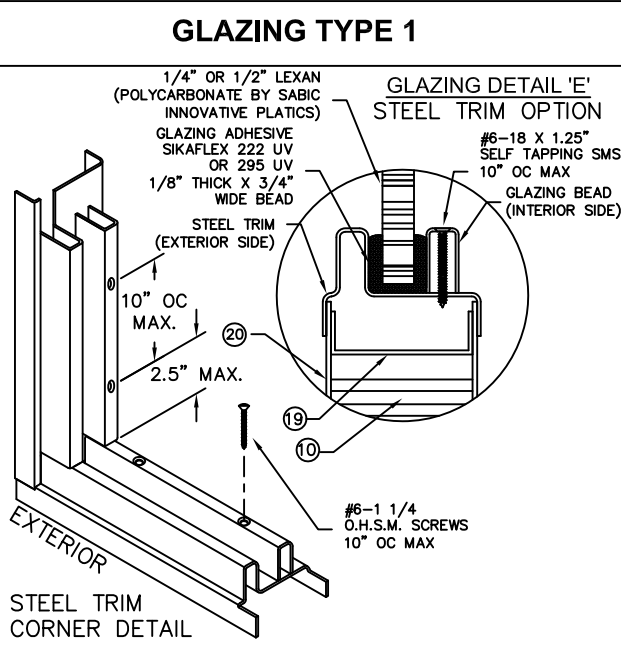
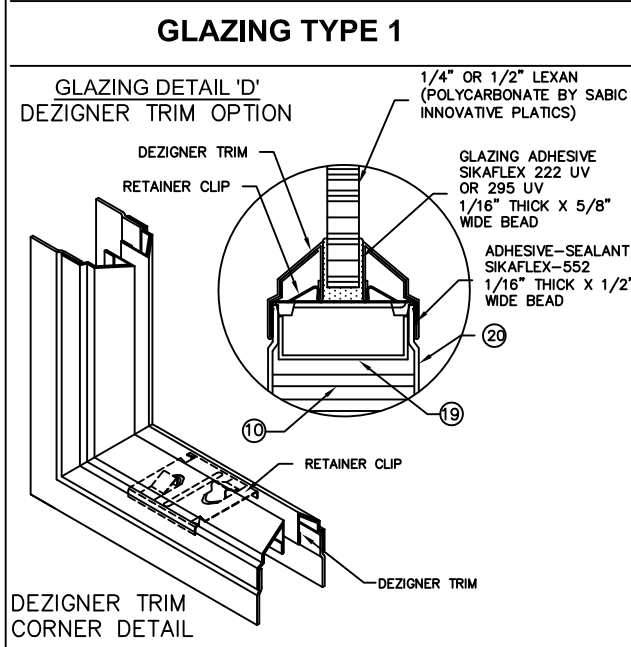
MAX. DAYLIGHT OPENING FOR CONFIGURATION 9 AND 10 IS 144 SQUARE INCHES
 12" X 12" MAX. 'V' VISION LITE
 MAXIMUM DAYLIGHT OPENING FOR CONFIGURATION 9A AND 10A IS 100 SQUARE INCHES DLO
 3' X 33" 'N3'
 4" X 25" 'N4'
 5' X 20" 'N5'
 SEE TABLE 1 SHEET 2
 DLO= DAY LIGHT OPENING

NOTES:

1. DOOR CONSTRUCTION
2. MINIMUM DOOR THICKNESS - 1 3/4"
3. ALL GLASS LITE TYPES SHOWN ON THIS SHEET ARE AVAILABLE FOR ALL DOOR CONFIGURATIONS SHOWN ON SHEET 1 AND TABLE 1 SHEET 2 EXCEPT FOR CONFIGURATIONS 9, 9A, 10 AND 10A. SEE NOTE 4.
4. DOOR CONFIGURATIONS 9 AND 10 AVAILABLE WITH 'V' VISION LITE AND 9A AND 10A IS AVAILABLE WITH N3, N4 AND N5 TYPE LITE. (SEE TABLE 1 SHEET 2)
5. MAXIMUM GLAZING DLO HEIGHT AND WIDTH AS PER SHEETS 1, 2, AND 8.
6. GLAZING OPENING DLO SIZE WILL CHANGE IN PROPORTION WITH DOOR SIZE.(SEE TABLE 1 SHEET 2 FOR LIMITATIONS)
7. DOOR SIZE MAY VARY, SUBJECTED TO COMPLIANCE WITH FLORIDA BUILDING CODE AND PRODUCT AVAILABILITY FROM MANUFACTURER.
8. GLASS LITES NOT LIMITED TO THOSE SHOWN, PROVIDED DIMENSIONS SHOWN ARE MAINTAINED. (SEE TABLE 1 SHEET 2)
9. DOORS WITH MULTIPLE GLASS LITES ARE NOT LIMITED TO THE DESIGNS SHOWN, PROVIDED THE DIMENSIONS SHOWN ARE MAINTAINED.(SEE TABLE 1 SHEET 2 FOR LIMITATIONS)
10. WHEN USING A CONTINUOUS HINGE THE MINIMUM DISTANCE FROM THE EDGE OF THE DOOR TO EXPOSED GLASS IS 6-1/4" AT STILES AND 7-1/2" AT MID RAILS.
11. DLO = DAYLIGHT OPENING (SEE TABLE 1 SHEET 2 FOR LIMITATIONS)



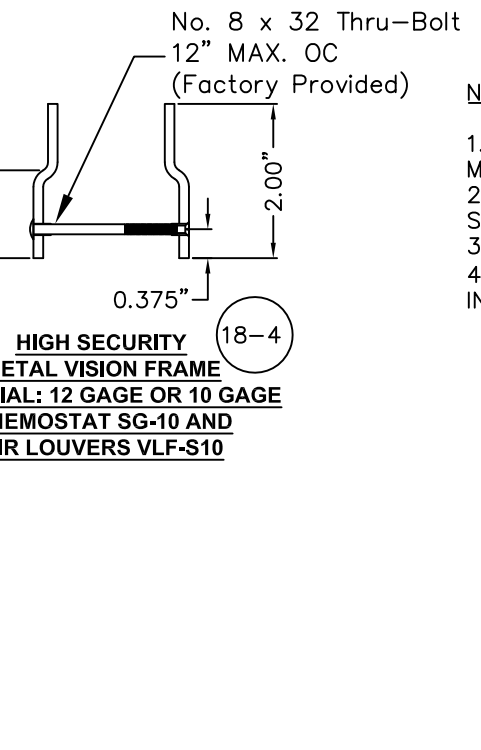
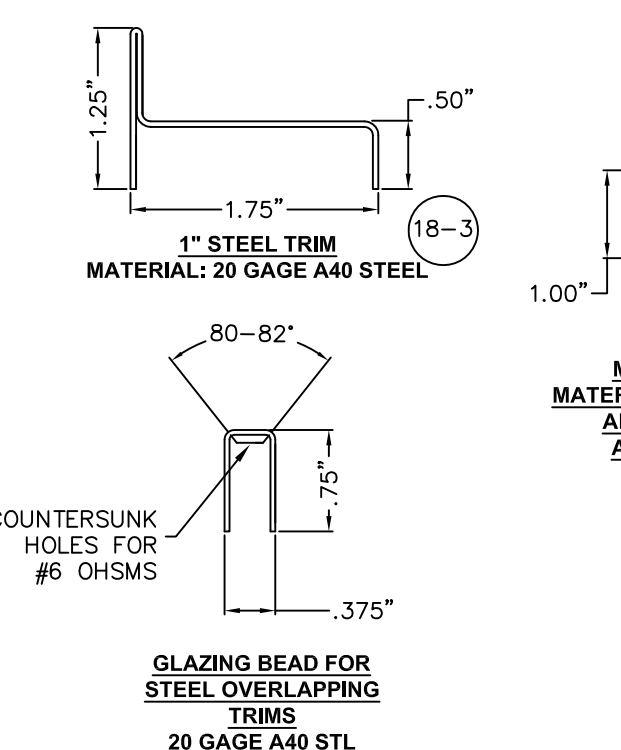
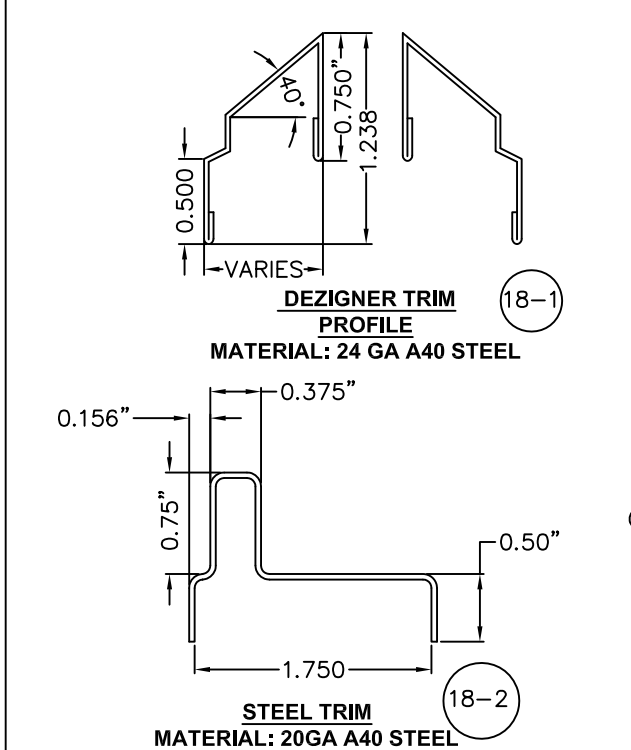
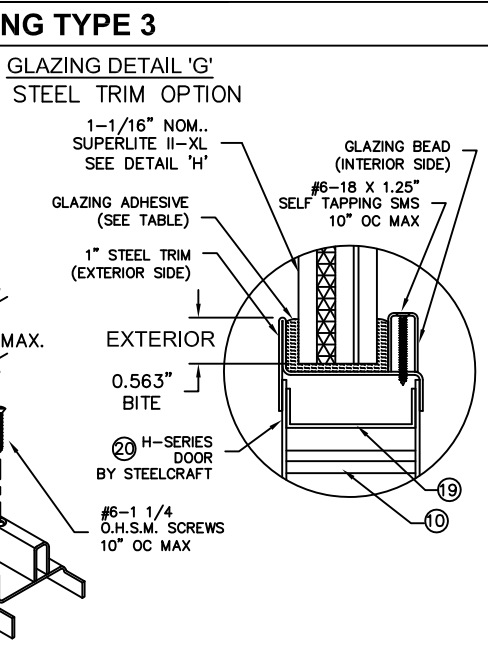
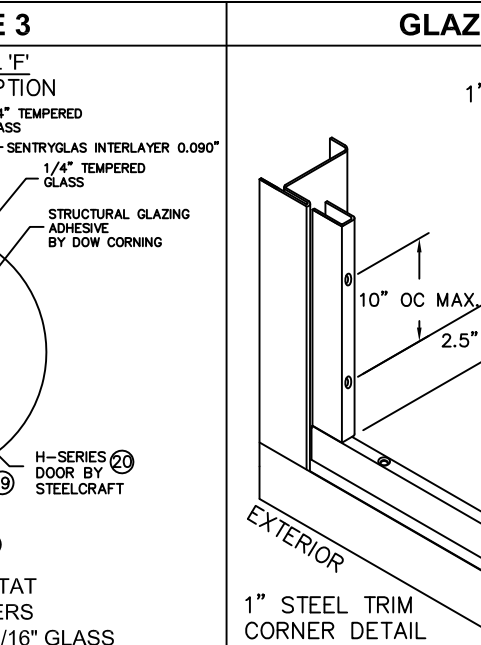
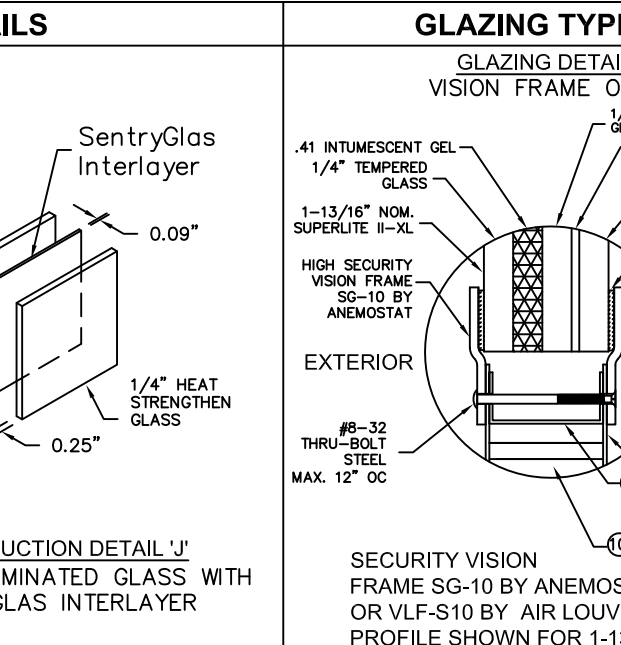
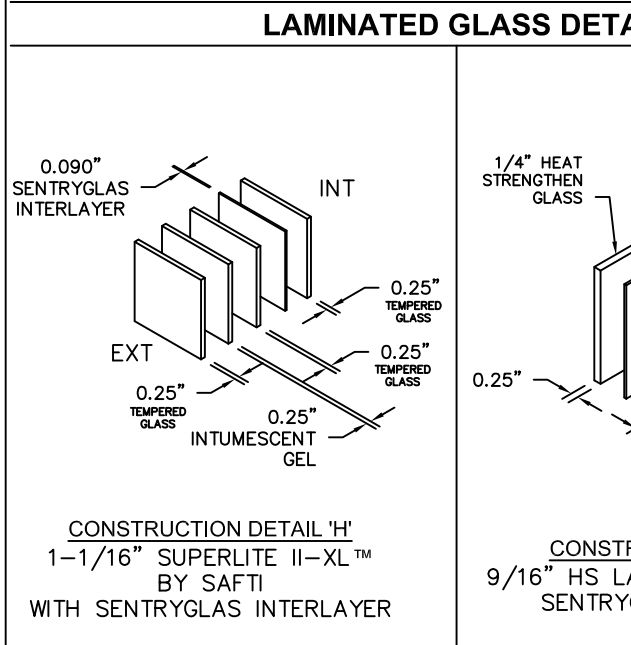
BEND RADIUS		SCHLAGE LOCK COMPANY, LLC 11819 N. PENNSYLVANIA STREET CARMEL, IN 46032		
THIRD ANGLE PROJECTION		TITLE: STEELCRAFT H SERIES SINGLE OUTSWING GLAZED COMMERCIAL STEEL DOORS WITH AND WITHOUT PANIC EXIT DEVICES		
DRAWN YMF	DATE 05/20/07	GLASS DOOR CONFIGURATIONS.		
CHECKED		SIZE	FLAT	DWG NO.
APPROVED				IRGS07
ENG. APPVL JPD	11/15/07	SCALE:	NTS	AUTOCAD
				REV N
				SHEET 8 of 16



REVISIONS				
LTR	DESCRIPTION	DATE	APPROVED	
A	APPROVAL DWG.	YMF	05/20/07	
D	REVISED DWG.	YMF	08/06/08	
E	REVISED PER_MDBCCO	YMF	01/30/09	
F	REVISED PER_MDBCCO	YMF	02/05/09	
G	REVISED DWG	YMF	01/04/10	
H	REVISED DWG	YMF	04/09/10	
J	REVISED NAME	JPD	11/01/13	
K	REVISED DWG	JPD	02/01/15	
L	CHANGE OF EOR	LMS	12/01/16	
N	REVISED DWG	JPD	07/18/18	

TABLE 8.

GLAZING TYPES AND METHODS				
TYPE	GLAZING MATERIAL	TRIM TYPE	SEALANT - ADHESIVE	GLAZING ADHESIVE
	1	LEXAN BY SABIC INNOVATIVE PLASTICS 1/4" OR 1/2" DETAILS 'D' & 'E'	DESIGNER 1/2" OR 1/4" STEEL TRIM	SIKAFLEX 552
2	9/16" HS LAMINATED GLASS WITH SENTRYGLAS INTERLAYER DETAILS 'J', 'K' & 'L'	DESIGNER 1/2" STEEL TRIM 1" STEEL TRIM	SIKAFLEX 552	SIKAFLEX 552 OR DOW CORNING 995/975/983 1/16" X 5/8" BEAD
3	SUPERLITE II-XL™ BY SAFTI WITH SENTRYGLAS INTERLAYER DETAILS 'H', 'F' & 'G'	1" STEEL TRIM (DETAIL 'G') SECURITY VISION FRAME SG-10 BY ANEMOSTAT OR VLF-S10 BY AIR LOUVERS (DETAIL 'F')	NONE	SIKAFLEX 552 OR DOW CORNING 995/975/983 1/16" X 5/8" BEAD

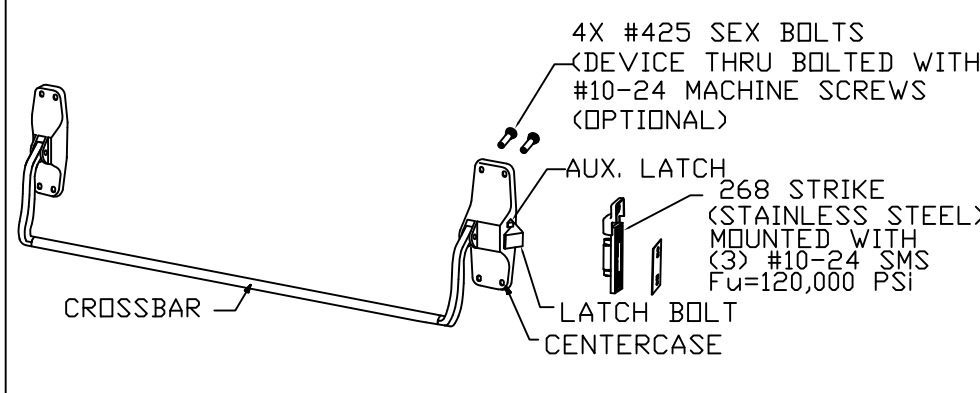


NOTES:

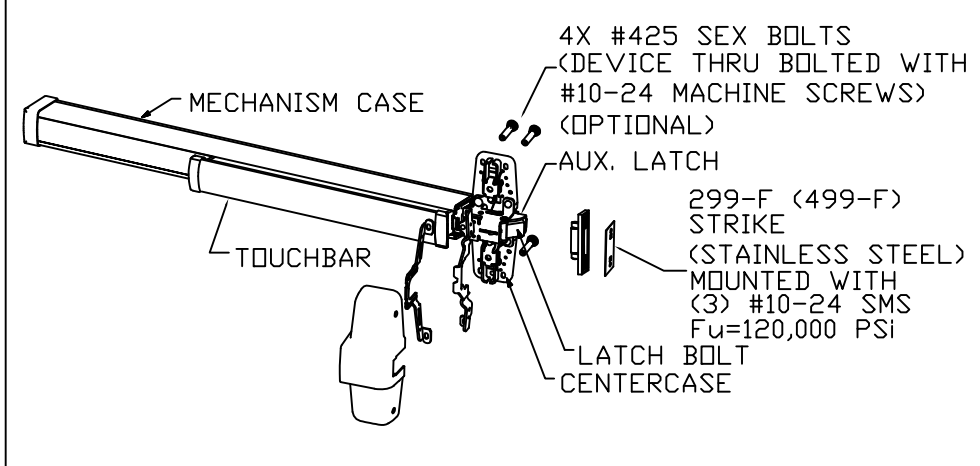
- SEE SHT.1 FOR ELEVATIONS, SHT.2 FOR SIZES AND SHT.7 FOR DOOR & FRAME MATERIAL SPECIFICATIONS.
- SEE SHT. 4 FOR ANCHOR REQUIREMENTS, WALL CONSTRUCTION AND ANCHORING SYSTEM
- SEE SHT. 7 FOR AVAILABLE OPENING SIZES, JAMB DEPTHS AND SPECIFICATIONS
- APPROVED HARDWARE TO BE INSTALLED PER MANUFACTURER'S INSTALLATION INSTRUCTIONS.



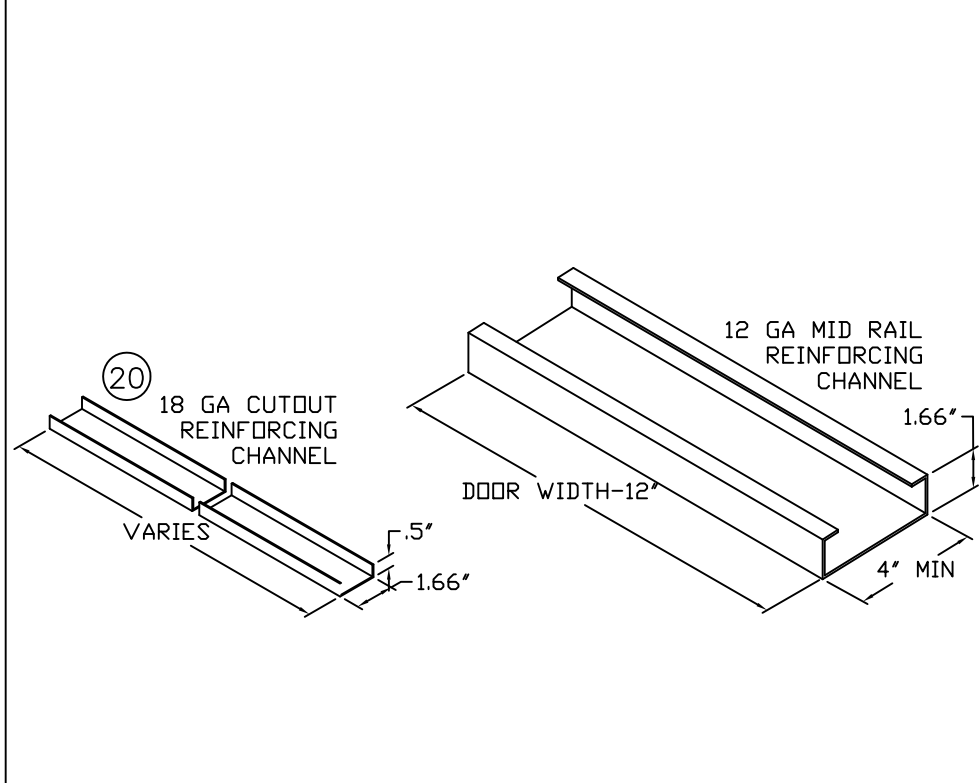
BEND RADIUS	SCHLAGE LOCK COMPANY, LLC 11819 N. PENNSYLVANIA STREET CARMEL, IN 46032		
THIRD ANGLE PROJECTION	TITLE: STEELCRAFT H SERIES SINGLE OUTSWING GLAZED COMMERCIAL STEEL DOOR WITH AND WITHOUT PANIC EXIT DEVICES GLASS TRIM OPTIONS.		
DRAWN YMF	DATE 05/20/07	SIZE FLAT	DWG NO. IRGS07
CHECKED	APPROVED	SCALE: NTS	REV N
ENG. APPVL JPD	11/15/07	AUTOCAD	SHEET 9 of 16



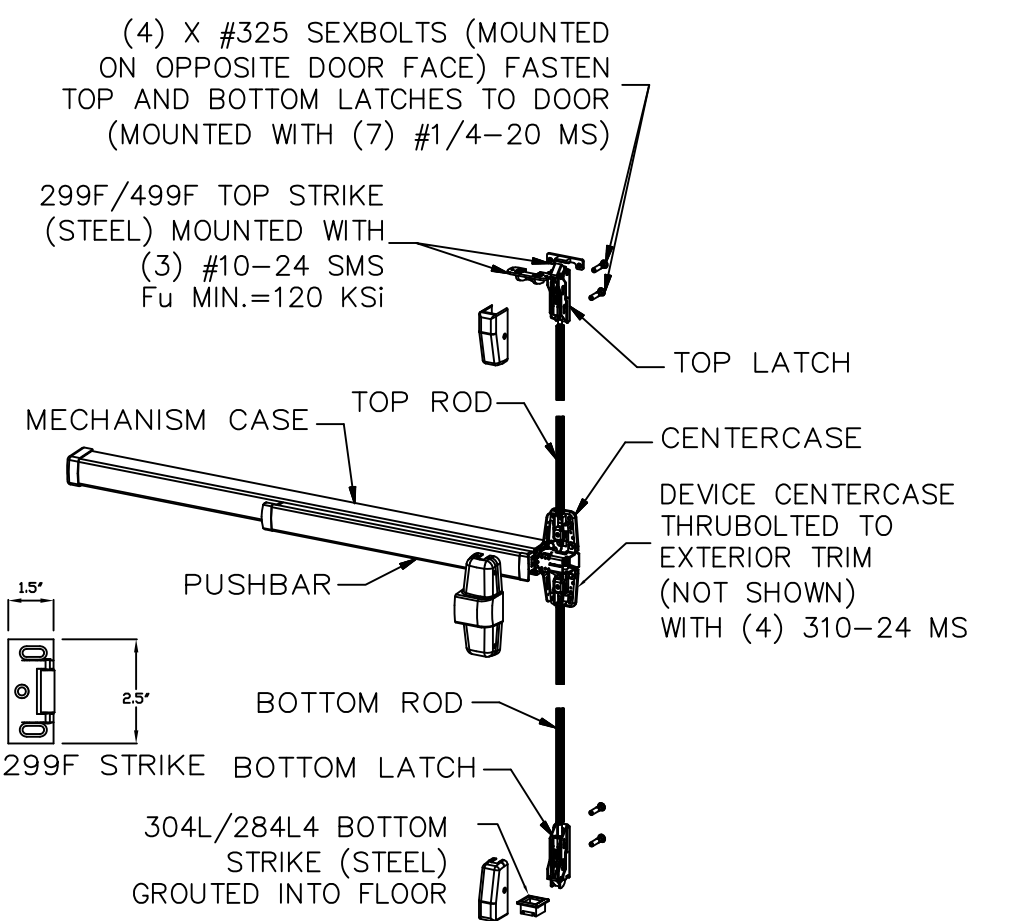
VON DUPRIN 88-F RIM DEVICE, USED IN CONFIGURATIONS: 7 & 8



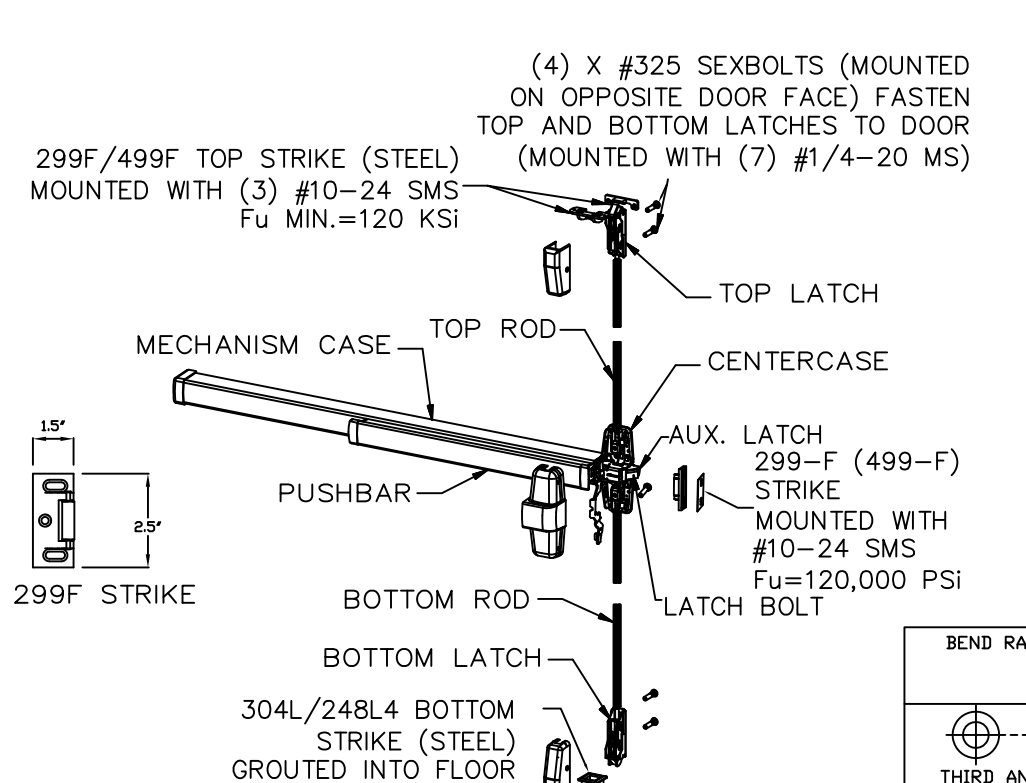
VON DUPRIN 98/99 & 98/99-F RIM DEVICE USED IN CONFIGURATIONS: 7 & 8



NOTES:
 1. ELECTRICAL FUNCTIONS/INSTALLATION AND FIRE RATINGS ARE NOT PART OF THIS APPROVAL, TO BE REVIEWED AND APPROVED BY BUILDING OFFICIAL
 2. EXIT HARDWARE OPTIONS:
 FOR 98/99 & XP98/99 SERIES - FUNCTIONS E, RX, LX, SS, EL, QEL, CX, F;(OPTIONS MAY VARY PER SERIES)
 TRIM: ALL APPLICABLE TRIMS AVAILABLE.
 FOR 88-F SERIES - FUNCTION E; TRIM: ALL APPLICABLE TRIMS AVAILABLE. PN MODEL OFFERED.



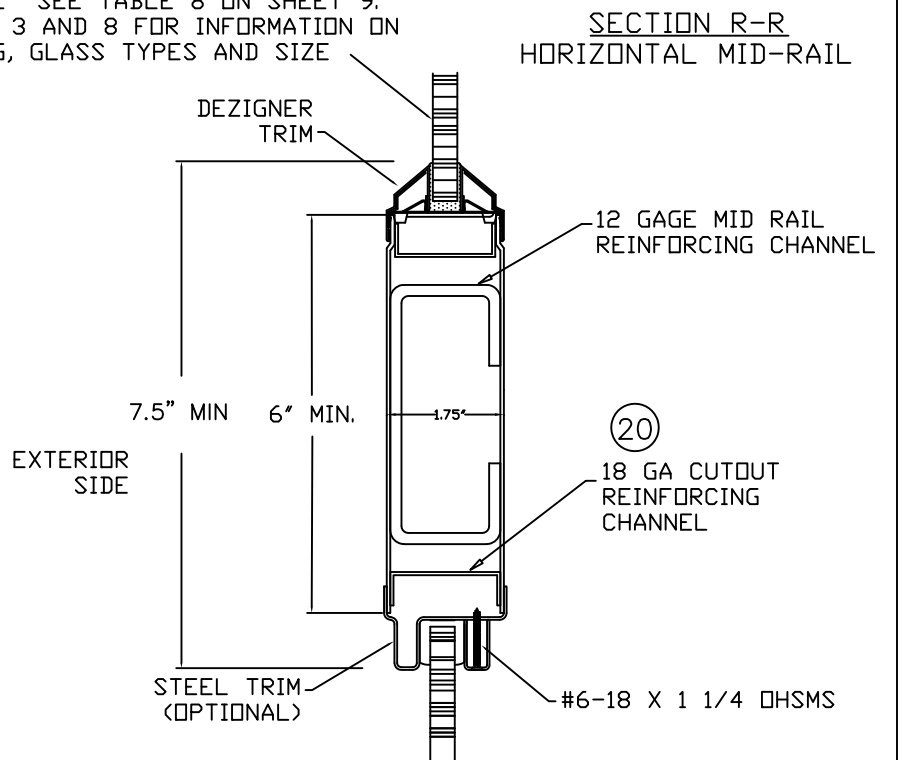
VON DUPRIN 98/9927 & 98/9927-F SURFACE VERTICAL ROD EXIT DEVICE USED IN DOOR CONFIGURATION 3 (SEE SHT.1)



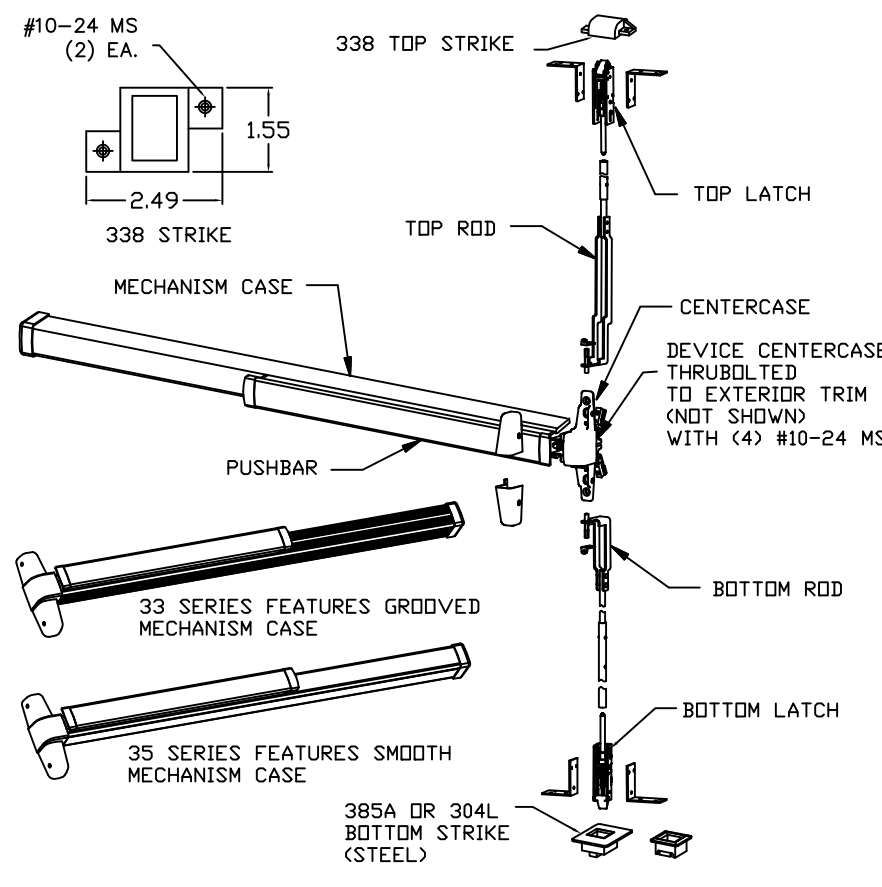
VON DUPRIN 98/9957 & 98/9957-F THREE POINT EXIT DEVICE USED IN DOOR CONFIGURATIONS 5 & 6 (SEE SHT.1)

REVISIONS				
LTR	DESCRIPTION	DATE	APPROVED	
A	APPROVAL DWG	YMF	05/20/07	
E	REVISED PER_MDBCCD	YMF	01/30/09	
F	REVISED PER_MDBCCD	YMF	02/05/09	
G	REVISED DWG	YMF	01/04/10	
H	REVISED DWG	YMF	04/09/10	
J	REVISED NAME	JPD	11/01/13	
K	REVISED DWG	JPD	02/01/15	
L	CHANGE OF EDR	LMS	12/01/16	
N	REVISED DWG	JPD	07/18/18	

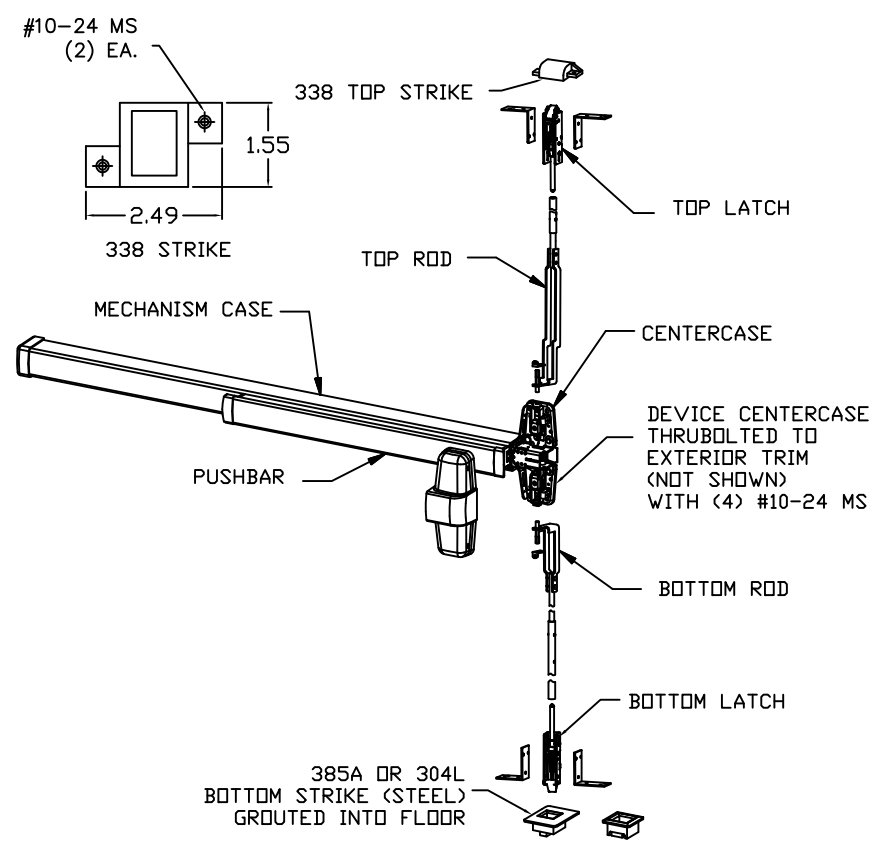
GLAZING MATERIAL SEE TABLE 8 ON SHEET 9. SEE SHEETS 1, 2, 3 AND 8 FOR INFORMATION ON DAYLIGHT OPENING, GLASS TYPES AND SIZE LIMITATIONS



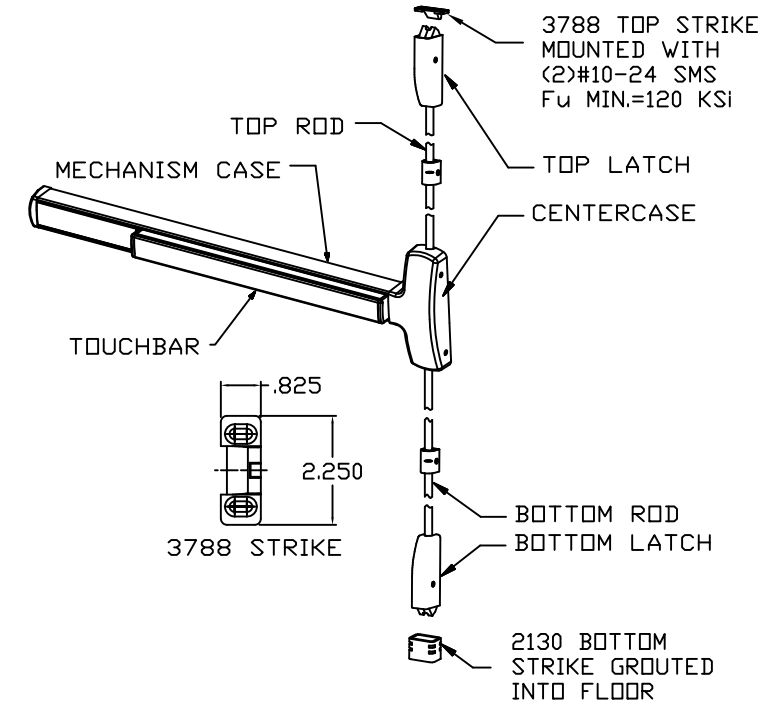
BEND RADIUS		SCHLAGE LOCK COMPANY, LLC 11819 N. PENNSYLVANIA STREET CARMEL, IN 46032		
THIRD ANGLE PROJECTION		TITLE: STEELCRAFT H SERIES SINGLE OUTSWING GLAZED COMMERCIAL STEEL DOORS WITH AND WITHOUT PANIC EXIT DEVICES		
DRAWN YMF	DATE 05/20/07	EXIT HARDWARE FOR GLASS SINGLE DOORS.		
CHECKED	CDATE	SIZE	FLAT	DWG NO. IRGS07
APPROVED	ADATE	SCALE: NTS		REV N
ENG. APPVL JPD	EDATE 11/15/07	AUTOCAD		SHEET 10 of 16



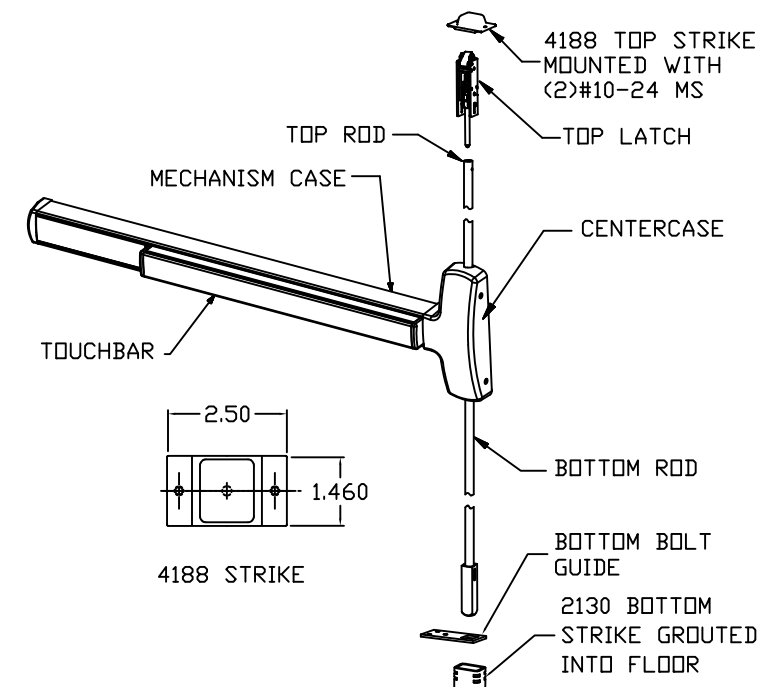
VON DUPRIN SERIES 33/3547A-F & HH33/3547 CONCEALED VERTICAL ROD EXIT DEVICE WITH 2-3/4" BACKSET USED IN COMFIGURATION 4



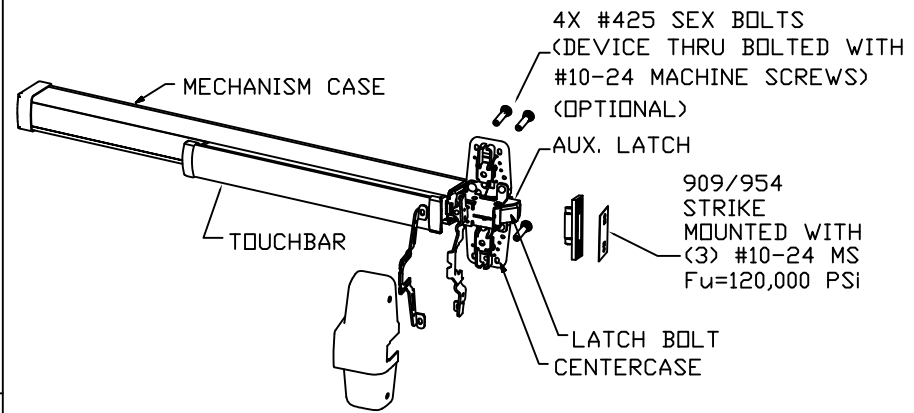
VON DUPRIN 98/9947-F & HH98/9947 CONCEALED VERTICAL ROD EXIT DEVICE WITH 2-3/4" BACKSET USED IN CONFIGURATION 4



FALCON F-25-V & 25-V, SURFACE VERTICAL ROD EXIT DEVICE USED IN DOOR CONFIGURATION 3 (SEE SHT.1)



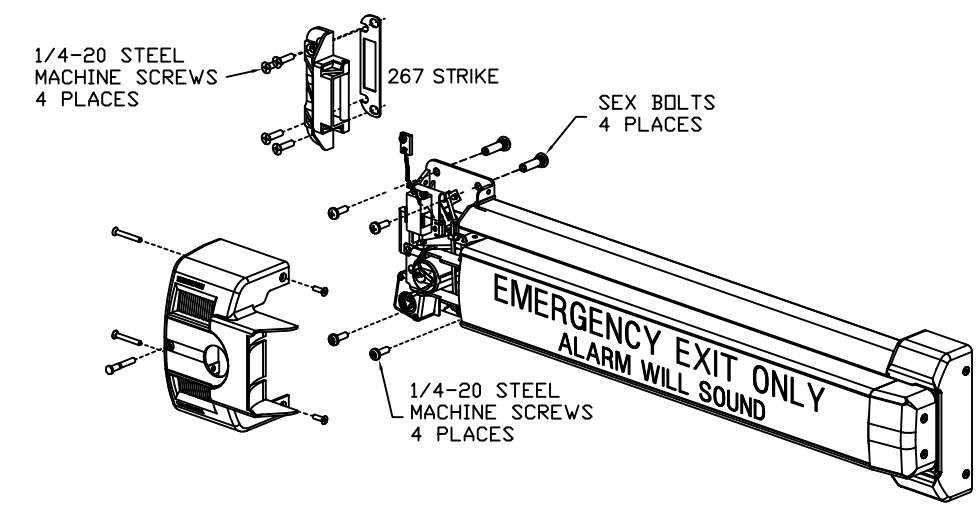
FALCON F-25-C, CONCEALED VERTICAL ROD EXIT DEVICE USED IN DOOR CONFIGURATION 4 (SEE SHT.1)



VON DUPRIN XP98/99 & XP98/99-F USED IN CONFIGURATIONS 9 & 9A

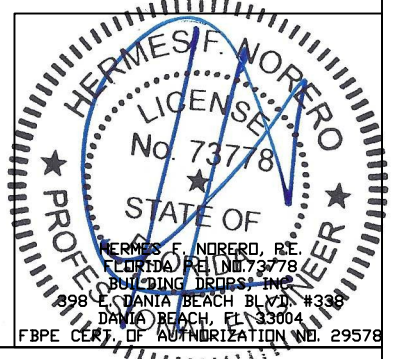
REVISIONS

LTR	DESCRIPTION	DATE	APPROVED
A	APPROVAL DWG	YMF 05/20/07	
E	REVISED PER_MDBCCD	YMF 01/30/09	
F	REVISED PER_MDBCCD	YMF 02/05/09	
G	REVISED DWG	YMF 01/13/10	
H	REVISED DWG	YMF 04/09/10	
J	REVISED NAME	JPD 11/01/13	
K	REVISED DWG	JPD 02/01/15	
L	CHANGE OF EDR	LMS 12/01/16	
N	REVISED DWG	JPD 07/18/18	

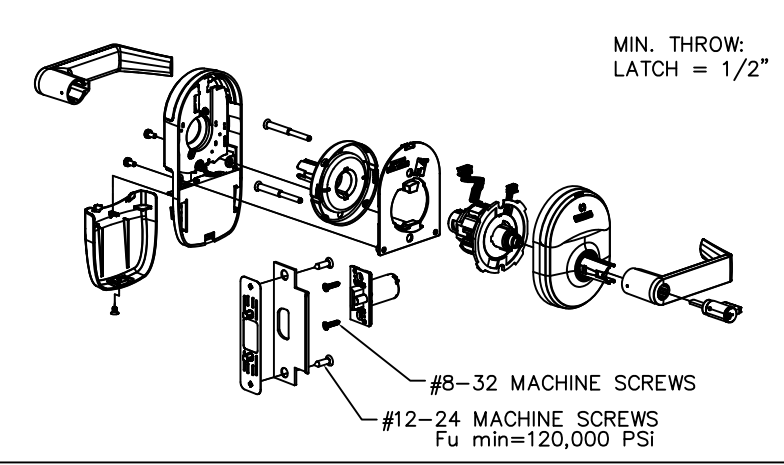


VON DUPRIN SERIES 2670 GAURD-X USED IN CONFIGURATIONS: 10 & 10A

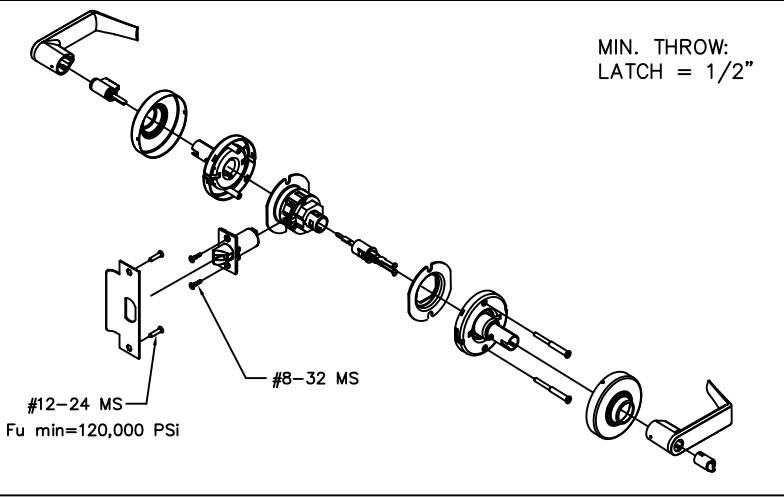
NOTES:
 1. INSTALLATION AND FIRE RATINGS ARE NOT PART OF THIS APPROVAL, TO BE REVIEWED AND APPROVED BY BUILDING OFFICIAL
 2. EXIT HARDWARE OPTIONS:
 FOR 98/99 & XP98/99 SERIES - FUNCTIONS E, RX, LX, SS, EL, QEL, CX, F (OPTIONS MAY VARY PER SERIES)
 TRIMS: ALL APPLICABLE TRIMS AVAILABLE..
 PN MODEL OFFERED.
 FOR 33/35-F SERIES - FUNCTIONS RX, LX, EL, QEL, SS
 TRIM: ALL APPLICABLE TRIMS AVAILABLE.
 FOR 2670 GUARD-X
 TRIM: ALL APPLICABLE TRIMS AVAILABLE.
 F-25-C & (F)25V SERIES - FUNCTIONS AE, DM, LM, LK, KOR, ED, EL, EA, FSA, FSE, HWEA
 TRIMS: ALL APPLICABLE TRIM AVAILABLE



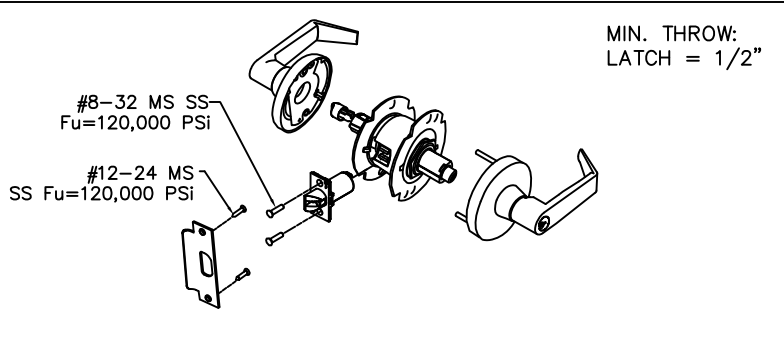
BEND RADIUS		SCHLAGE LOCK COMPANY, LLC 11819 N. PENNSYLVANIA STREET CARMEL, IN 46032	
THIRD ANGLE PROJECTION		TITLE: STEELCRAFT H SERIES SINGLE OUTSWING GLAZED COMMERCIAL STEEL DOORS WITH AND WITHOUT PANIC EXIT DEVICES	
DRAWN YMF	DATE 05/20/07	HARDWARE OPTIONS FOR GLASS SINGLE DOORS.	
CHECKED		SIZE	FLAT
APPROVED		DWG NO.	IRGS07
ENG. APPVL JPD	11/15/07	SCALE:	NTS AUTOCAD
		SHEET	11 of 16



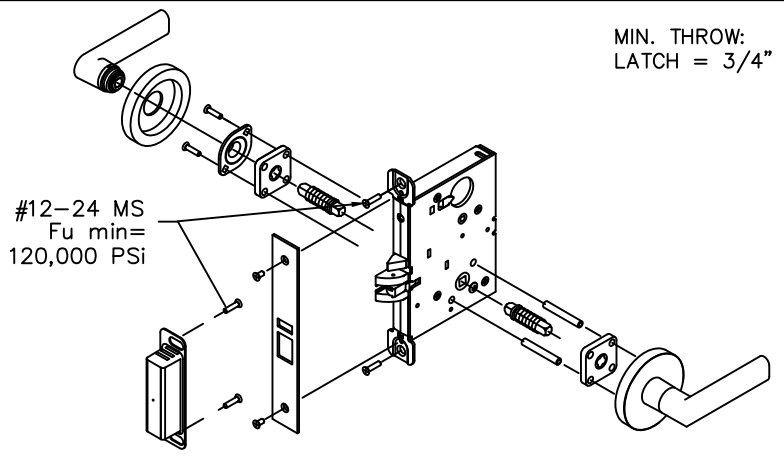
SCHLAGE NDE-SERIES CYLINDRICAL LOCKSET WITH 1/2" THROW LATCH USED IN DOOR CONFIGURATIONS 2 & 12 (SEE SHT.1)



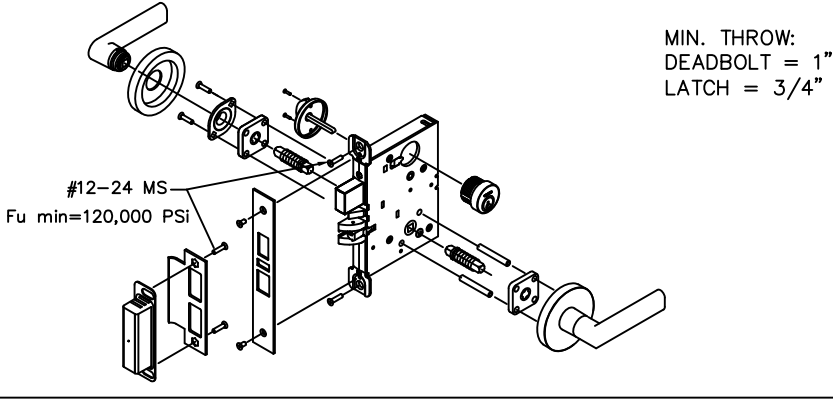
SCHLAGE D/ND-SERIES CYLINDRICAL LOCKSET USED IN DOOR CONFIGURATIONS 2 & 12 (SEE SHT.1)



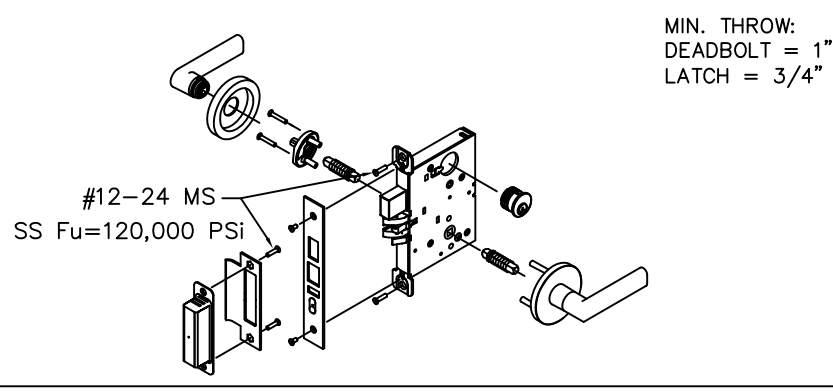
FALCON T-SERIES CYLINDRICAL LOCKSET USED IN DOOR CONFIGURATIONS 2 & 12 (SEE SHT.1)



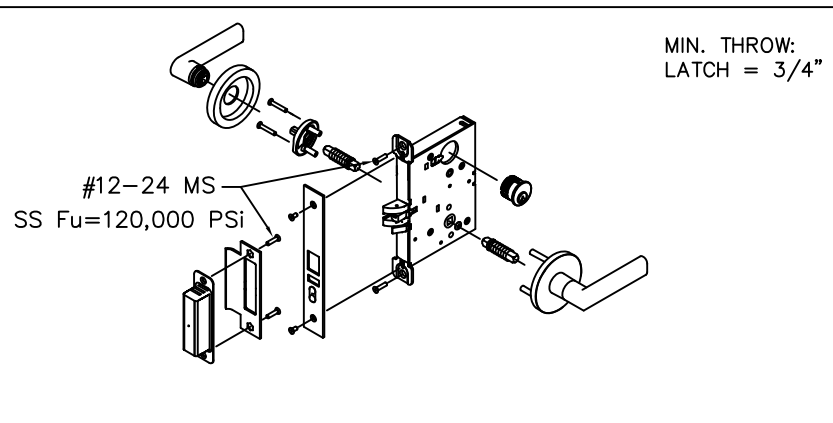
SCHLAGE L/LV 9000 SERIES MORTISE LOCKSET WITHOUT DEADBOLT USED IN DOOR CONFIGURATIONS 1 & 11 (SEE SHT.1)



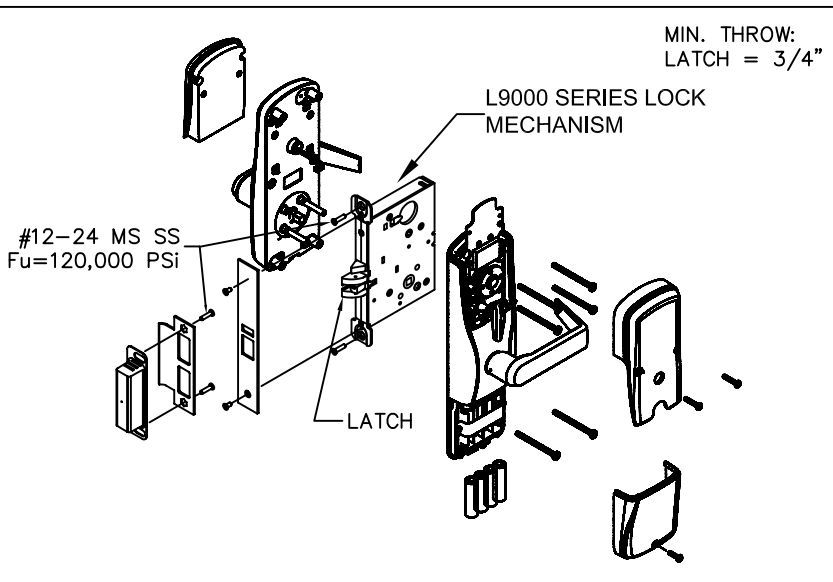
SCHLAGE L/LV 9400 SERIES MORTISE LOCKSET WITH DEADBOLT FUNCTION USED IN DOOR CONFIGURATIONS 1 & 11 (SEE SHT.1)



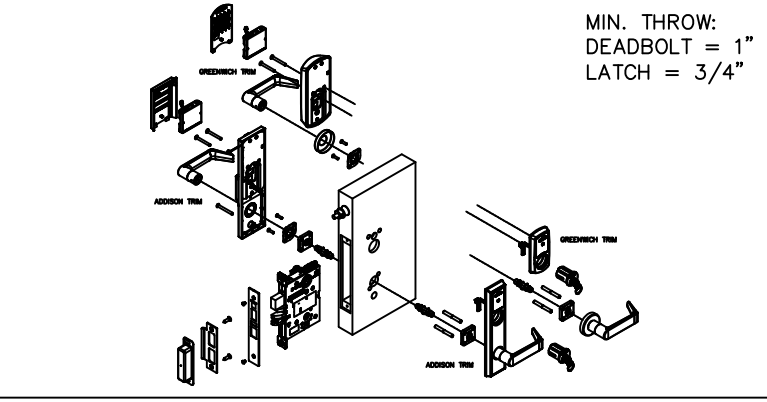
FALCON M/MA-SERIES MORTISE LOCKSET WITH DEADBOLT FUNCTION USED IN DOOR CONFIGURATIONS 1 & 11 (SEE SHT.1)



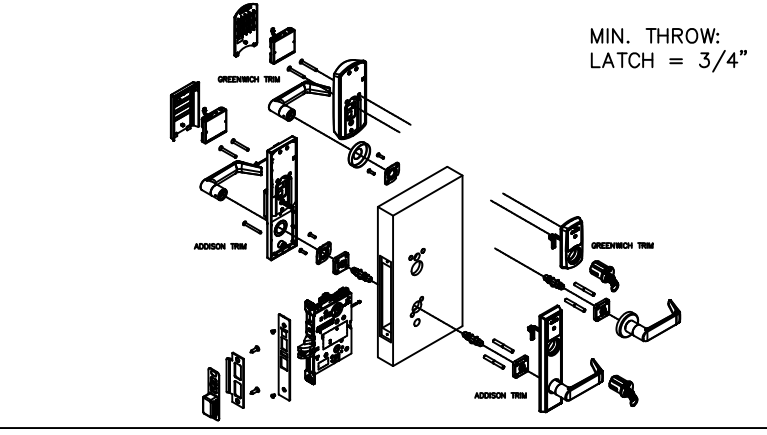
FALCON M/MA-SERIES MORTISE LOCKSET W/O DEADBOLT FUNCTION USED IN DOOR CONFIGURATIONS 1 & 11 (SEE SHT.1)



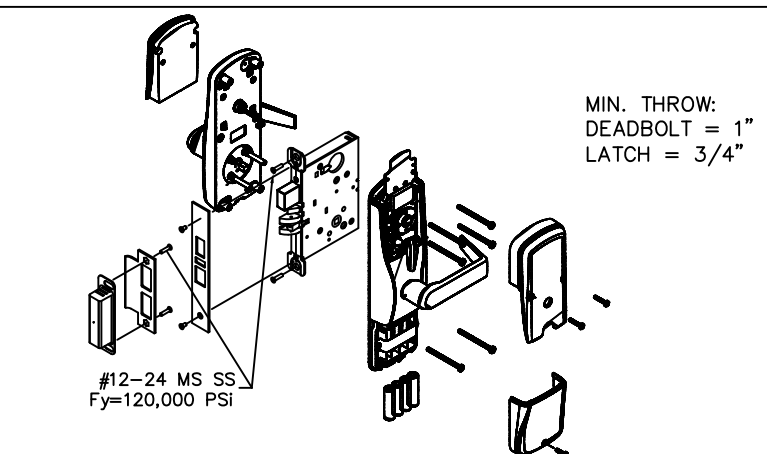
SCHLAGE AD-MS & CO-MS SERIES MORTISE LOCKSET WITHOUT DEADBOLT USED IN DOOR CONFIGURATIONS 1 & 11 (SEE SHT.1)



SCHLAGE LE-MD SERIES MORTISE LOCKSET WITH DEADBOLT FUNCTION USED IN DOOR CONFIGURATIONS 1 & 11 (SEE SHT.1)



SCHLAGE LE-MS SERIES MORTISE LOCKSET WITHOUT DEADBOLT USED IN DOOR CONFIGURATIONS 1 & 11 (SEE SHT.1)



SCHLAGE AD-MD & CO-MD SERIES MORTISE LOCKSET W/ DEADBOLT USED IN DOOR CONFIGURATIONS 1 & 11 (SEE SHT.1)

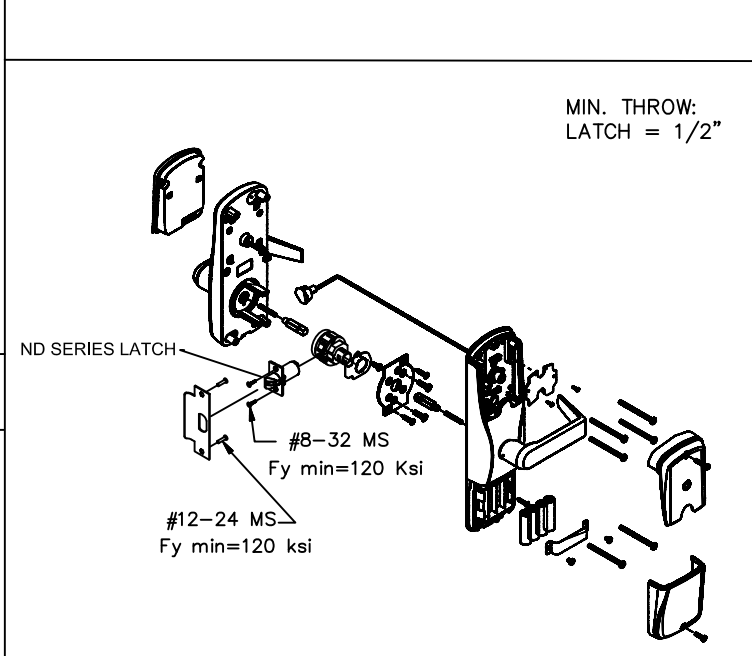
- NOTE:
1. FIRE RATINGS ARE NOT PART OF THIS APPROVAL AND ARE TO BE REVIEWED BY THE BUILDING OFFICIAL.
 2. ELECTRIFIED FUNCTIONS APPROVED, BUT NOT SHOWN ABOVE.

BEND RADIUS	
THIRD ANGLE PROJECTION	
DRAWN YMF	DATE 05/20/07
CHECKED	
APPROVED	
ENG. APPVL JPD	10/11/07

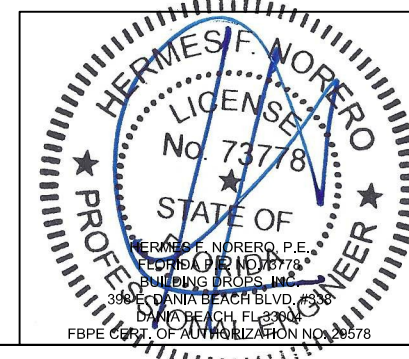
SCHLAGE LOCK COMPANY, LLC 11819 N. PENNSYLVANIA STREET CARMEL, IN 46032			
TITLE: STEELCRAFT H SERIES SINGLE OUTSWING GLAZED COMMERCIAL STEEL DOORS WITH AND WITHOUT PANIC EXIT DEVICES			
HARDWARE OPTIONS FOR GLAZED SINGLE DOORS.			
SIZE	FLAT	DWG NO.	IRGS07
SCALE:	NTS	AUTOCAD	SHEET 12 of 16

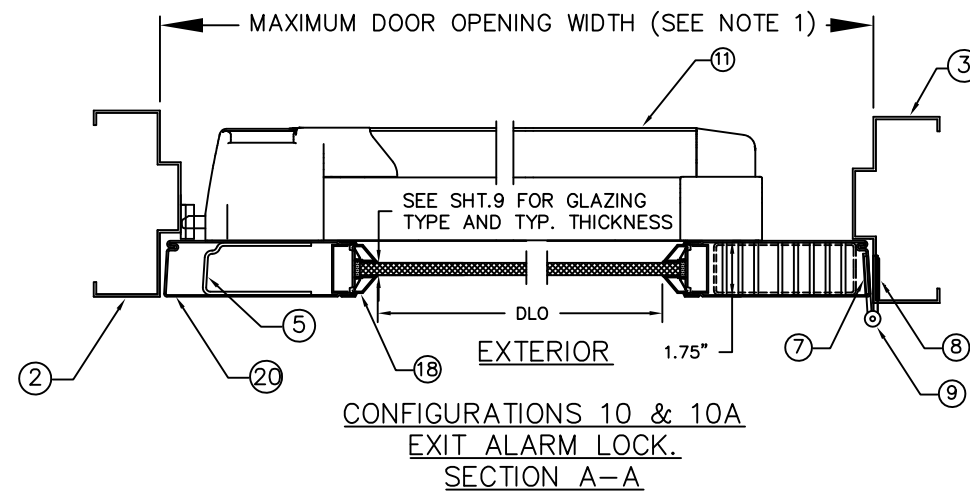
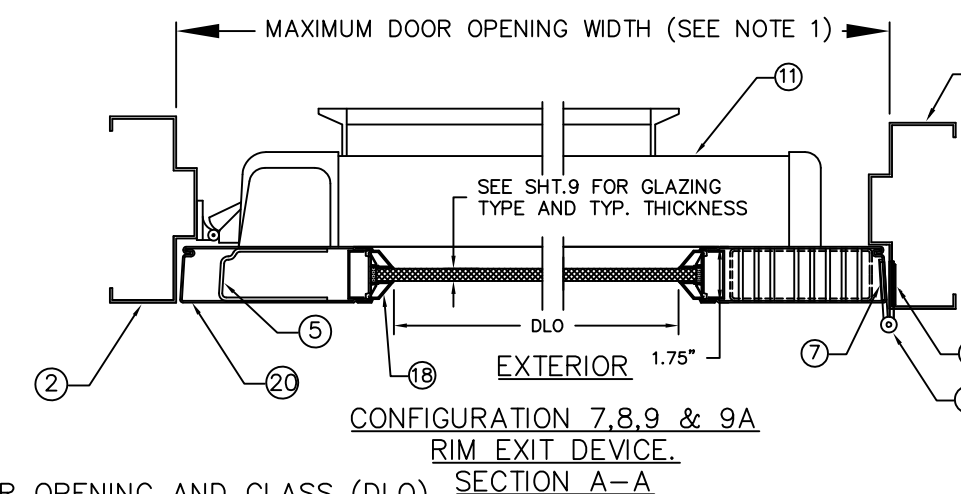
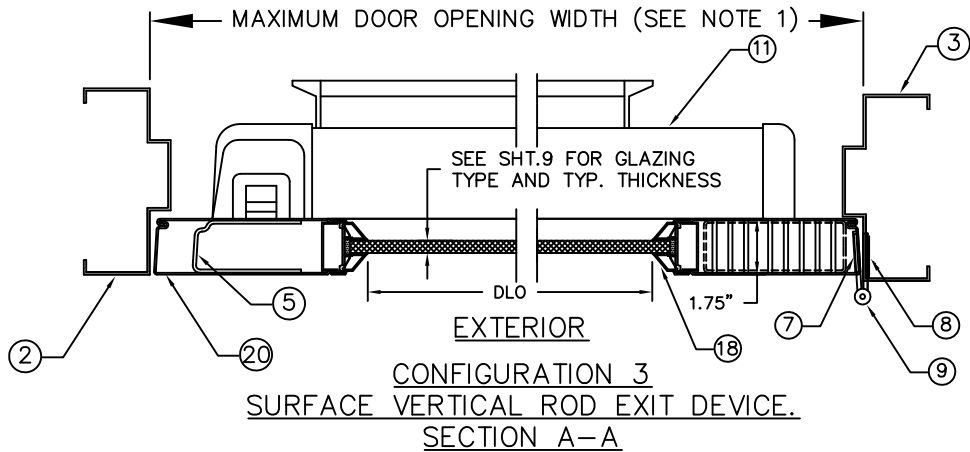
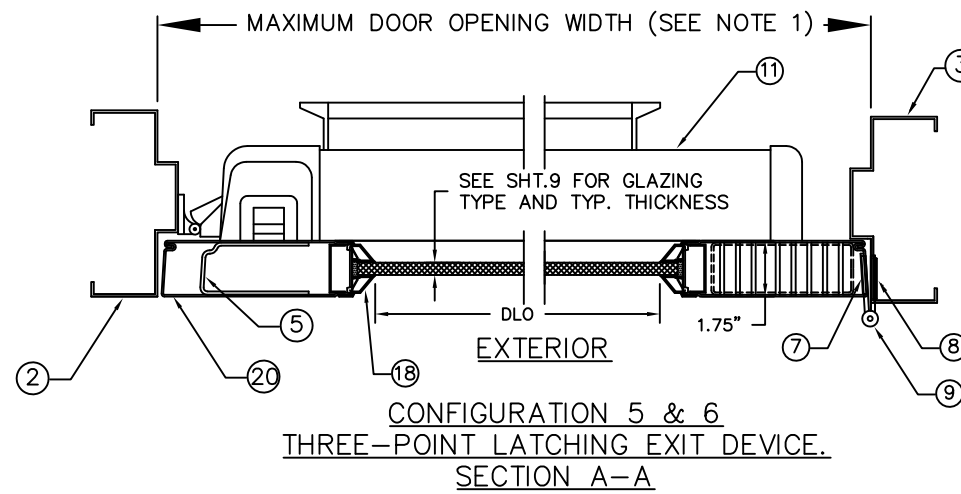
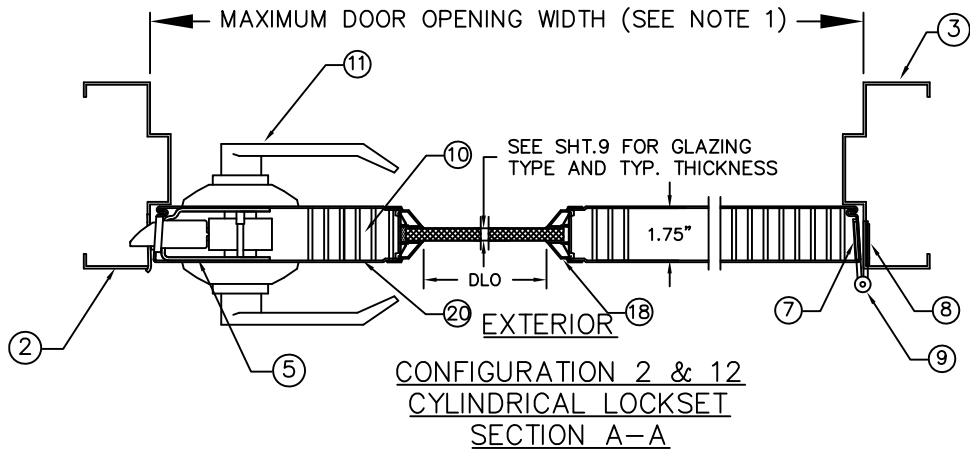
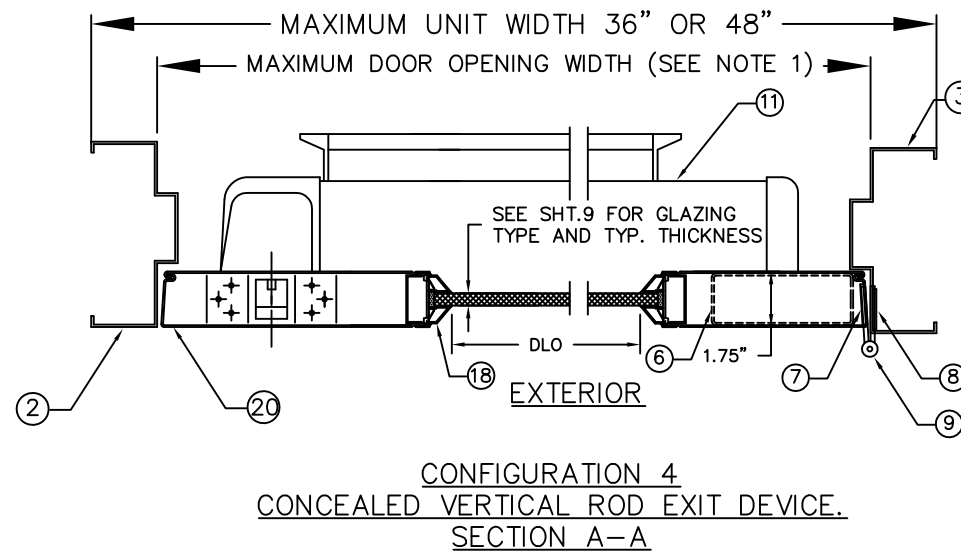
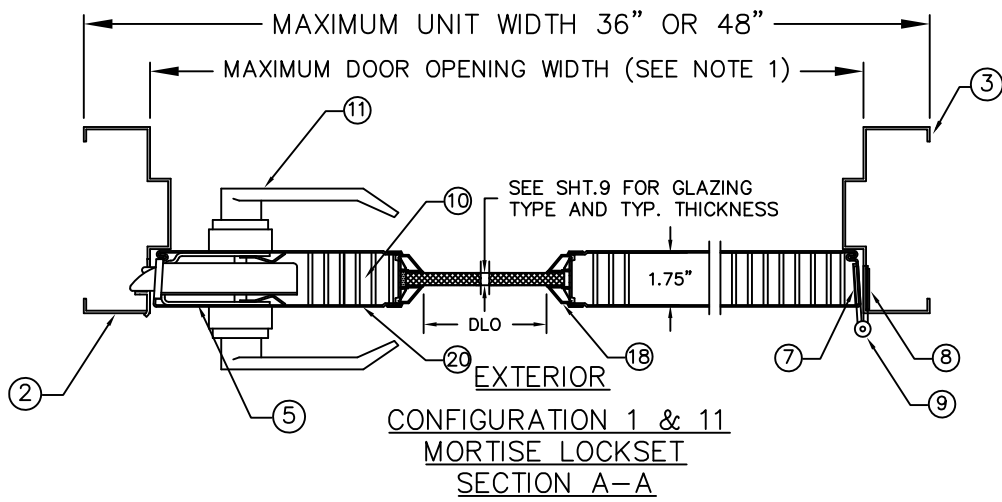
REVISIONS

LTR	DESCRIPTION	DATE	APPROVED
B	REVISED DWG	RAP	10/11/07
C	REVISED DWG	RAP	12/12/07
D	REVISED DWG	YMF	07/28/08
E	REVISED DWG	YMF	01/30/09
F	REVISED DWG	YMF	02/05/09
G	REVISED DWG	YMF	01/13/10
H	REVISED DWG	YMF	04/09/10
J	REVISED NAME	JPD	11/01/13
K	REVISED DWG	JPD	02/01/15
L	ENGINEER CHANGE	AM	12/01/16
N	REVISED DWG	JPD	07/18/18



SCHLAGE AD-CY & CO-CY SERIES CYLINDRICAL LOCKSET USED IN DOOR CONFIGURATIONS 1 & 12 (SEE SHT.1)



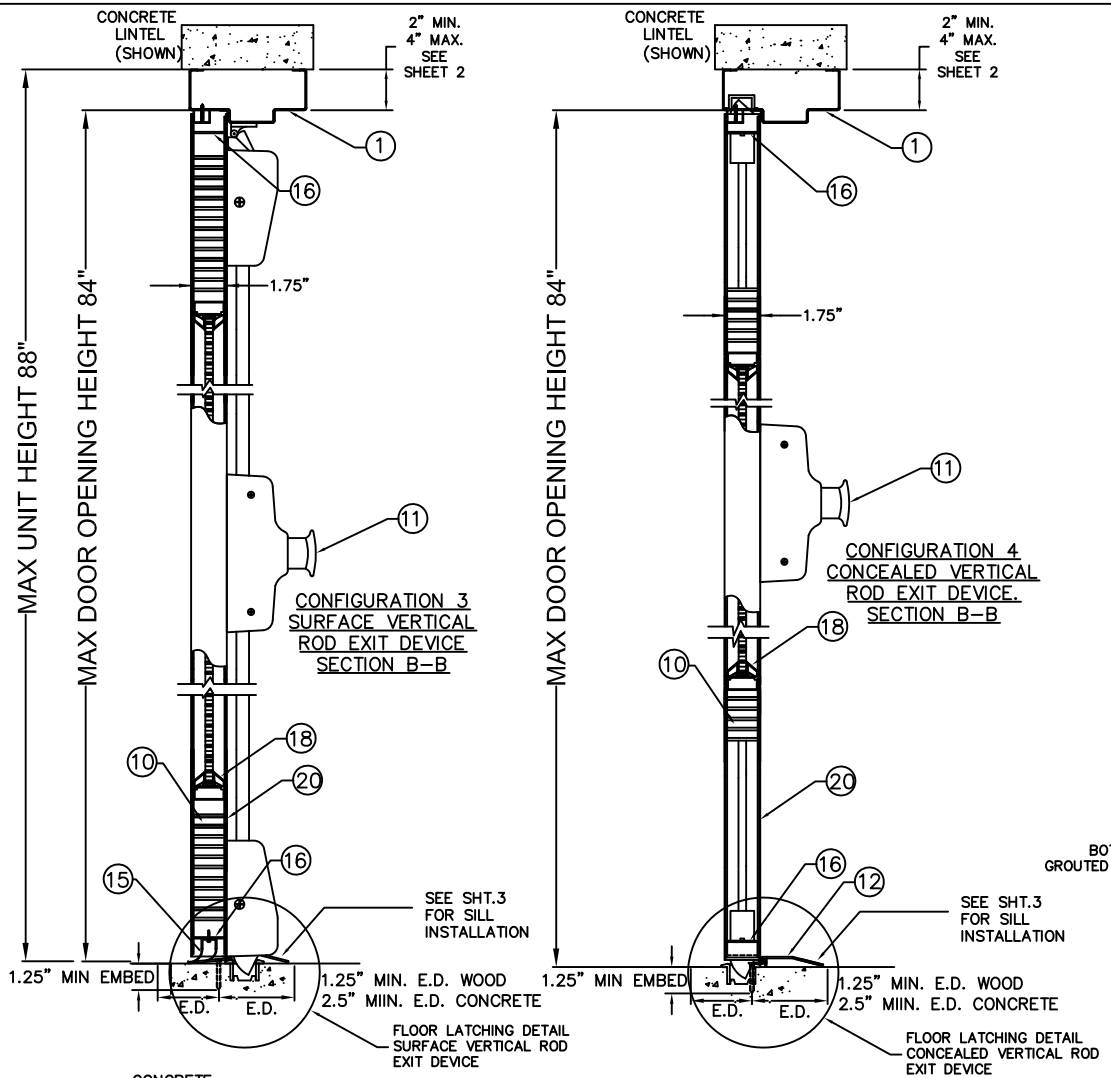
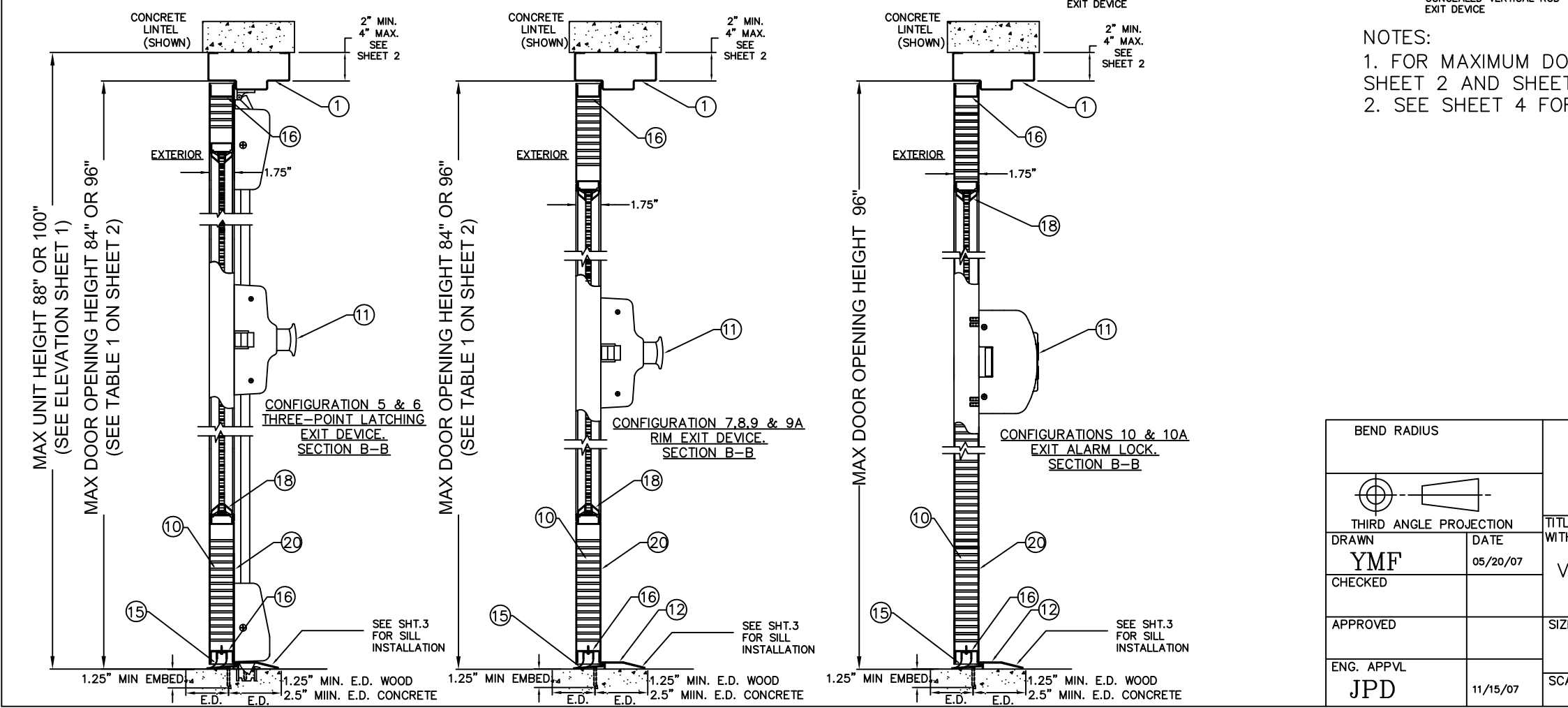
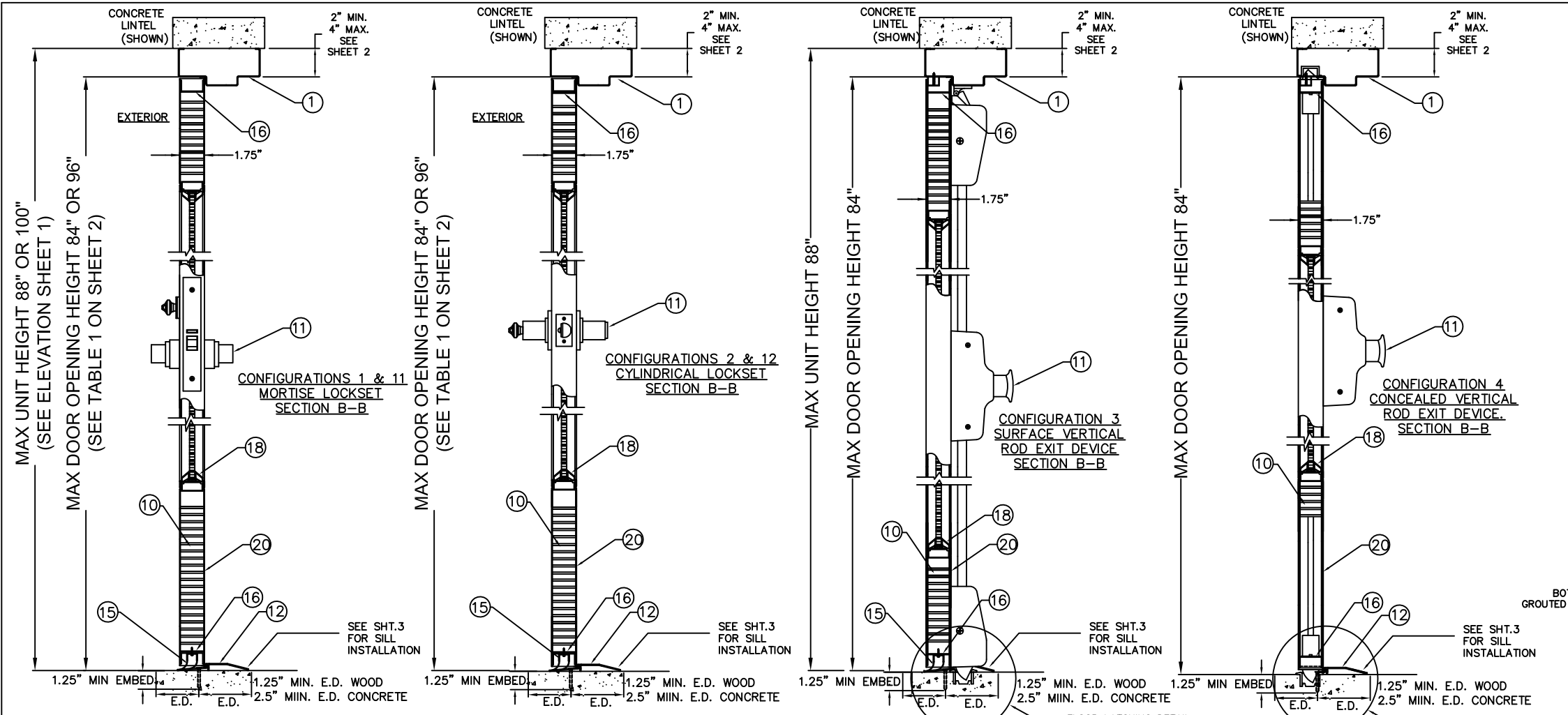


NOTES:
 1. FOR MAXIMUM DOOR OPENING AND GLASS (DLO) SIZE, SEE TABLE 1 ON SHEET 2 AND SHEETS 8 & 9 FOR LIMITATIONS.
 2. SEE SHEET 4 FOR ANCHOR INSTALLATION AND SILL INSTALLATION DETAILS

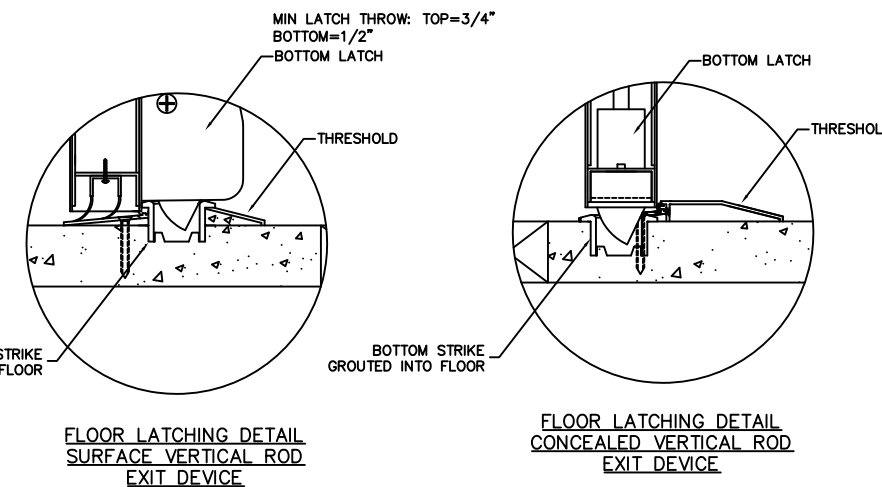
REVISIONS				
LTR	DESCRIPTION	DATE	APPROVED	
A	APPROVAL DWG	YMF	05/20/07	
C	REVISED DWG	RAP	12/12/07	
D	REVISED DWG	YMF	07/28/08	
E	REVISED PER_MDBCCO	YMF	01/30/09	
F	REVISED PER_MDBCCO	YMF	02/05/09	
G	REVISED DWG	YMF	01/05/10	
H	REVISED DWG	YMF	04/09/10	
J	REVISED NAME	JPD	11/01/13	
K	REVISED DWG	JPD	02/01/15	
L	CHANGE OF EOR	LMS	12/01/16	
N	REVISED DWG	JPD	07/18/18	



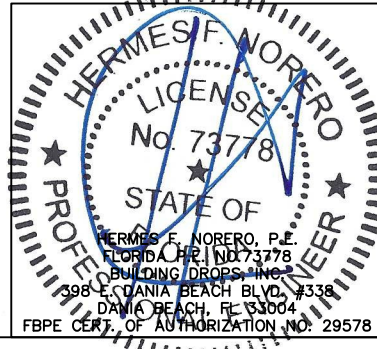
BEND RADIUS		SCHLAGE LOCK COMPANY, LLC 11819 N. PENNSYLVANIA STREET CARMEL, IN 46032		
THIRD ANGLE PROJECTION		TITLE: STEELCRAFT H SERIES SINGLE OUTSWING GLAZED COMMERCIAL STEEL DOORS WITH AND WITHOUT PANIC EXIT DEVICES		
DRAWN YMF	DATE 05/20/07	HORIZONTAL CROSS SECTIONS FOR GLASS SINGLE DOORS.		
CHECKED		SIZE FLAT	DWG NO. IRGS07	REV N
APPROVED		SCALE: NTS	AUTOCAD	SHEET 13 of 16
ENG. APPVL JPD	11/15/07			



REVISIONS				
LTR	DESCRIPTION	DATE	APPROVED	
A	APPROVAL DWG	YMF	05/20/07	
D	REVISED DWG	YMF	07/28/08	
E	REVISED PER_MDBCCO	YMF	01/30/09	
F	REVISED PER_MDBCCO	YMF	02/05/09	
G	REVISED DWG	YMF	01/05/10	
H	REVISED DWG	YMF	04/09/10	
J	REVISED NAME	JPD	11/01/13	
K	REVISED DWG	JPD	02/01/15	
L	CHANGE OF EOR	LMS	12/01/16	
N	REVISED NAME	JPD	07/18/18	



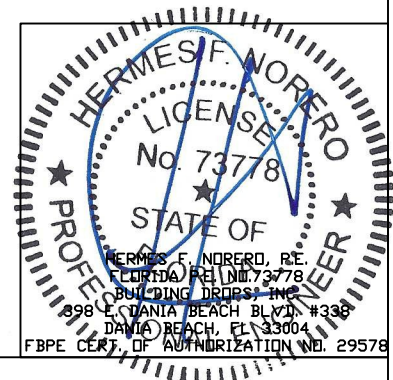
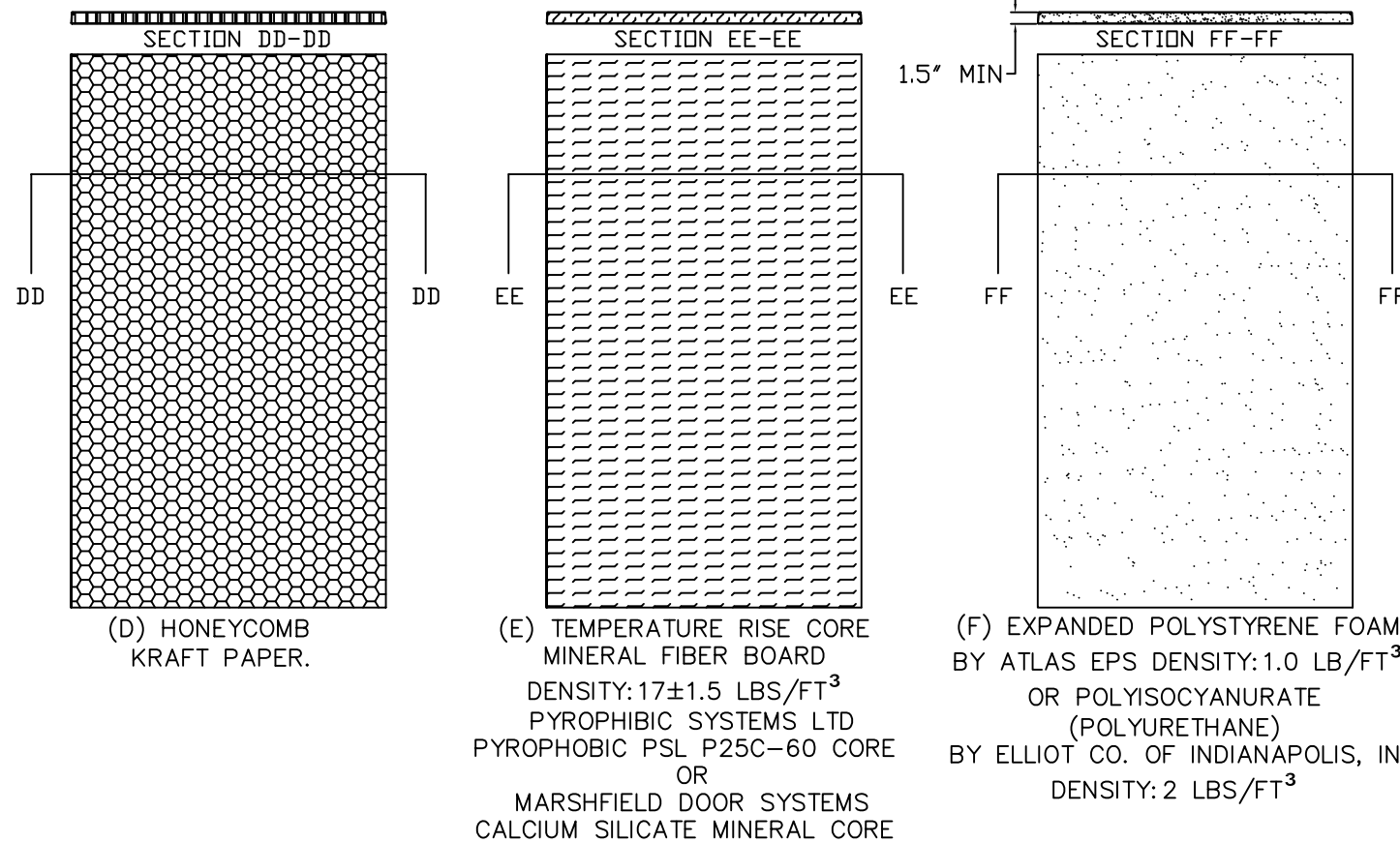
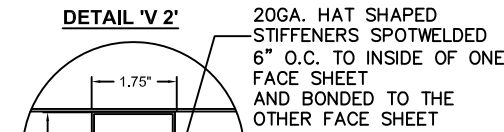
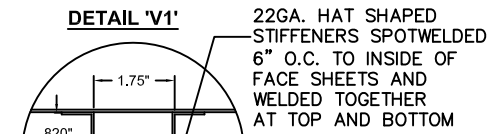
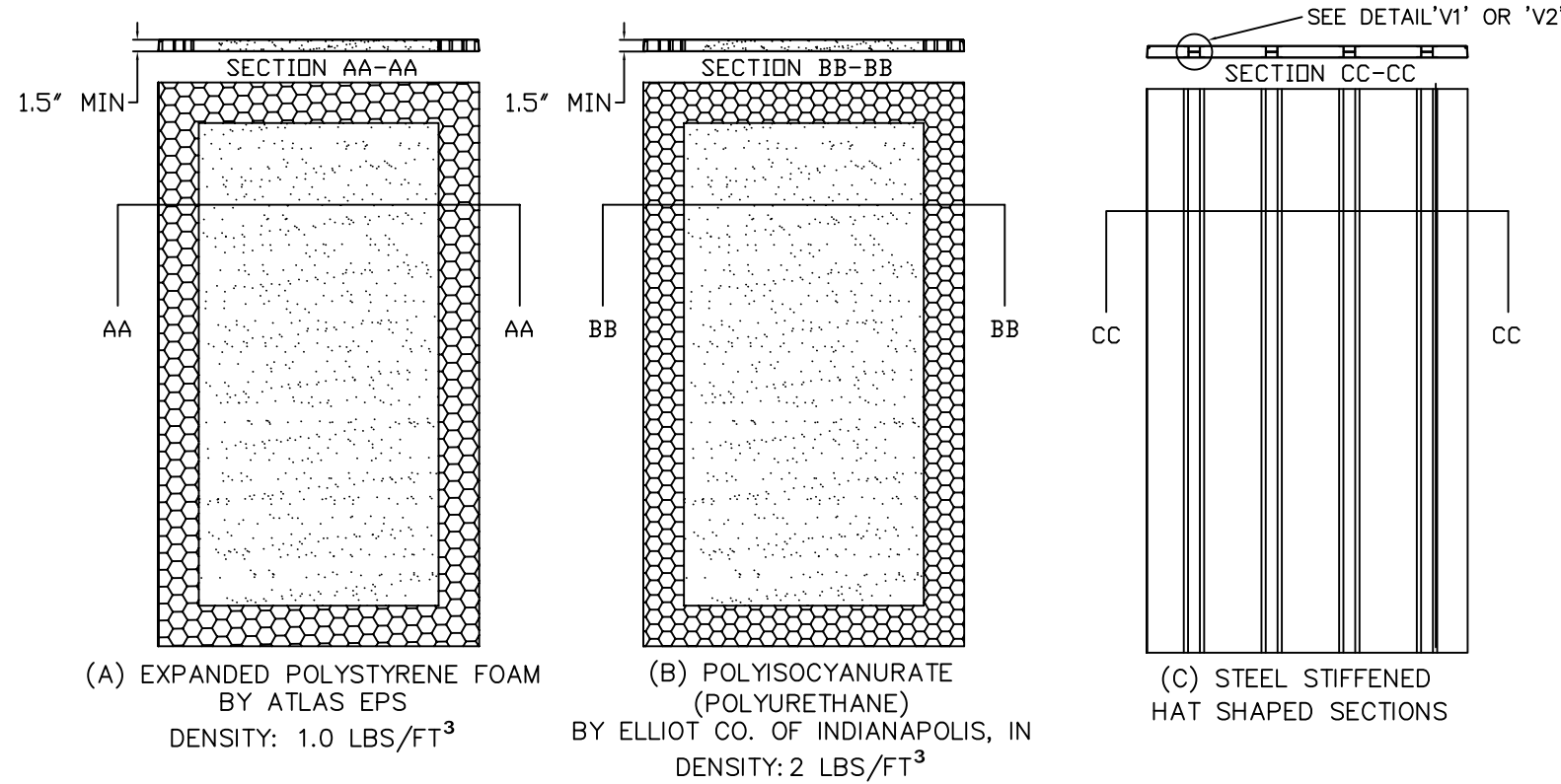
NOTES:
 1. FOR MAXIMUM DOOR OPENING SIZE AND GLASS (DLO) SIZE, SEE TABLE 1 ON SHEET 2 AND SHEETS 8 & 9 FOR LIMITATIONS.
 2. SEE SHEET 4 FOR ANCHORS INSTALLATION AND SILL INSTALLATION DETAILS.



BEND RADIUS	SCHLAGE LOCK COMPANY, LLC 11819 N. PENNSYLVANIA STREET CARMEL, IN 46032		
THIRD ANGLE PROJECTION	TITLE: STELLCRAFT H SERIES SINGLE OUTSWING GLAZED COMMERCIAL STEEL DOORS WITH AND WITHOUT PANIC EXIT DEVICES		
DRAWN YMF	DATE 05/20/07	VERTICAL CROSS SECTIONS FOR GLASS SINGLE DOORS.	
CHECKED		SIZE FLAT	DWG NO. IRGS07
APPROVED		SCALE: NTS	REVISION N
ENG. APPVL JPD	DATE 11/15/07	AUTOCAD	SHEET 14 of 16

REVISIONS

LTR	DESCRIPTION	DATE	APPROVED
A	APPROVAL DWG	JPD 02/03/14	
B	REVISED DWG	JPD 02/01/15	
C	REVISED DWG	JPD 06/30/15	
D	CHANGE OF EDR	LMS 12/01/16	
N	REVISED DWG	JPD 07/18/18	

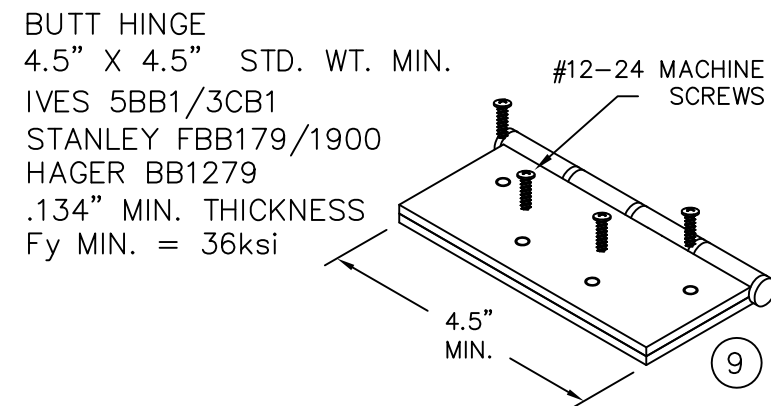


NOTES:
1. CORE MATERIAL SHOWN WITHOUT CUTOUTS FOR REINFORCEMENTS

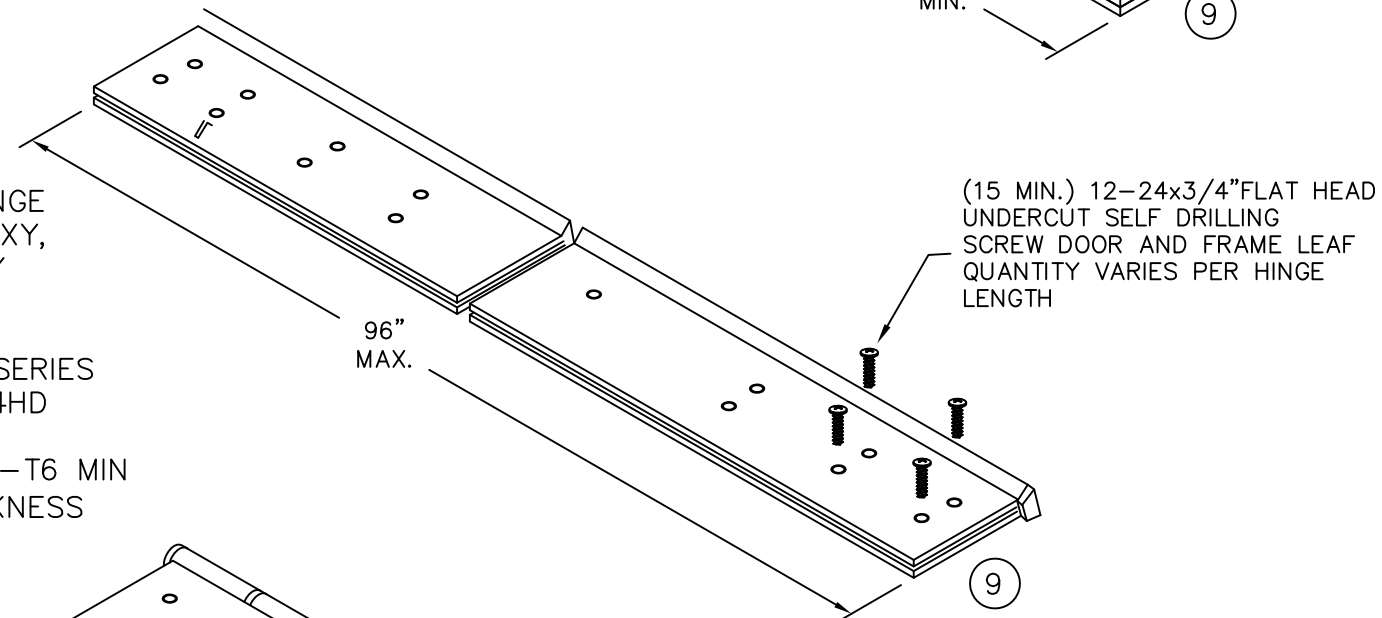
BEND RADIUS		SCHLAGE LOCK COMPANY, LLC 11819 N. PENNSYLVANIA STREET CARMEL, IN 46032		
THIRD ANGLE PROJECTION		TITLE: STEELCRAFT H SERIES SINGLE OUTSWING GLAZED COMMERCIAL STEEL DOORS WITH AND WITHOUT PANIC EXIT DEVICES		
DRAWN JPD	DATE 02/03/14	DOOR CORE OPTIONS		
CHECKED		SIZE	FLAT	DWG NO. IRGS07
APPROVED		SCALE:	NTS	AUTOCAD
ENG. APPVL				SHEET 15 of 16

REVISIONS

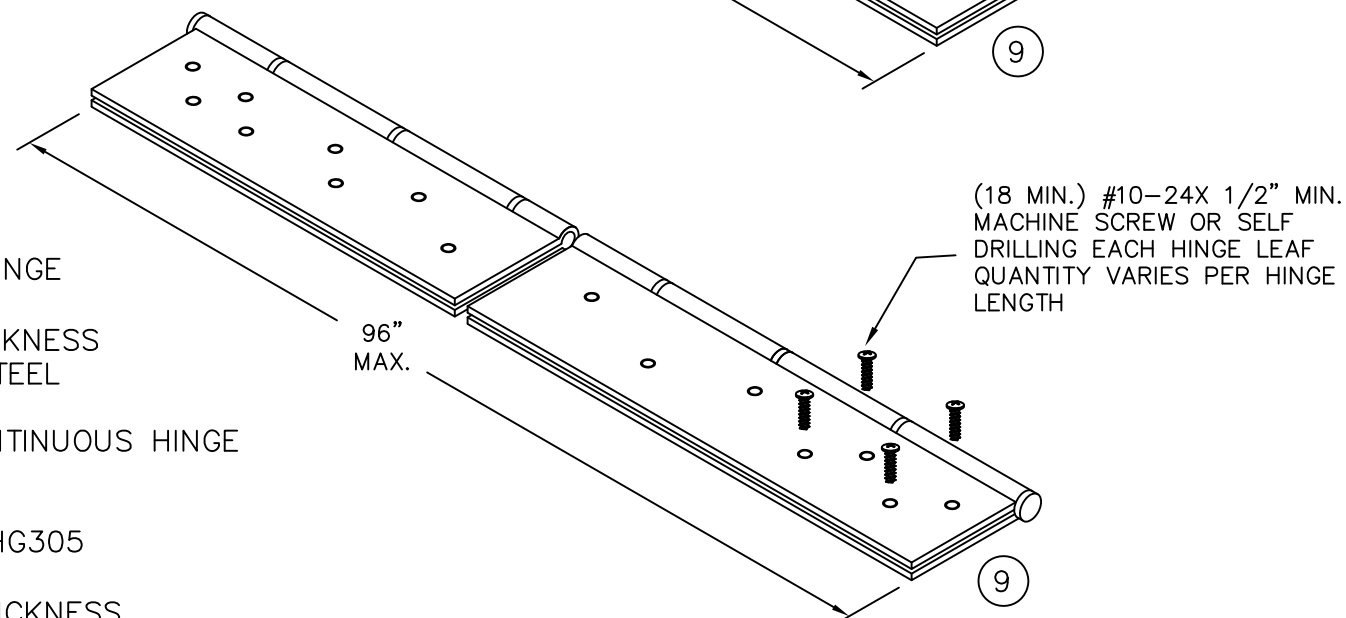
LTR	DESCRIPTION	DATE	APPROVED
A	APPROVAL DWGS.	11/01/13	
B	REVISED DWGS.	02/01/15	
C	CHANGE OF EOR	12/01/16	
N	REVISED DWGS.	07/18/18	



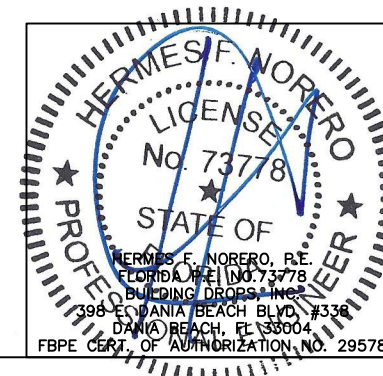
CONTINUOUS HINGE
IVES 112HD, 112XY,
224HD & 224XY
STANLEY 661HD
SELECT SL11HD
PEMKO FM_HD SERIES
HAGER 780-224HD
ABH A240HD
ALUMINUM 6036-T6 MIN
.110" MIN. THICKNESS



STEEL CONTINUOUS HINGE
IVES 600
.075 (14GA) MIN. THCKNESS
1012 COLD ROLLED STEEL
Fy MIN. 45ksi
STAINLESS STEEL CONTINUOUS HINGE
IVES 700, 700CS
HAGER 790-900
MARKAR FM-300 & HG305
ABH A500
.075" (14GA) MIN. THICKNESS
304 STAINLESS STEEL
Fy MIN. 31ksi



CONTINUOUS HINGE NOTES:
1. QUANTITY OF SCREWS VARIES PER HINGE LENGTH, MANUFACTURER AND MODEL NUMBER
2. SCREW SPACING VARIES PER HINGE LENGTH, MANUFACTURER AND MODEL NUMBER
3. INSTALL HINGES PER THE MANUFACTURERS INSTALLATION INSTRUCTIONS



BEND RADIUS		SCHLAGE LOCK COMPANY, LLC 11819 N. PENNSYLVANIA STREET CARMEL, IN 46032			
THIRD ANGLE PROJECTION		TITLE: STEELCRAFT H SERIES SINGLE OUTSWING GLAZED COMMERCIAL STEEL DOORS WITH AND WITHOUT PANIC EXIT DEVICES			
DRAWN JPD	DATE 02/03/14	HINGE OPTIONS			
CHECKED		SIZE	FLAT	DWG NO. IRGS07	REV N
APPROVED		SCALE: NTS		AUTOCAD	SHT 16 OF 16
ENG. APPVL					